

LN Series

LED Highbay PAR E39 - 100W, 150W and 200W



- Fit to standard Highbay housing, just plug and play with E40 socket and connect to external Meanwell driver



- Keep existing look of In ceiling Highbay without modification and less installing job
- Provided more beam angle as 120D

More Informations
Visit our website >>

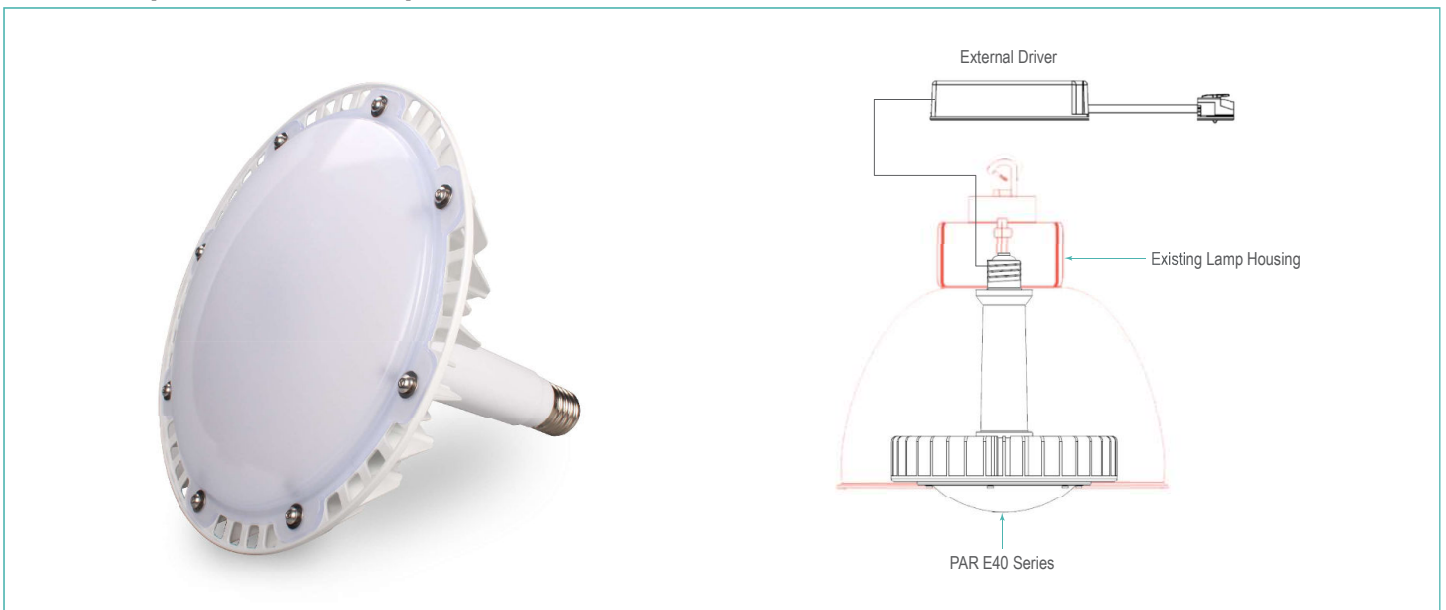


IP65 CE RoHS

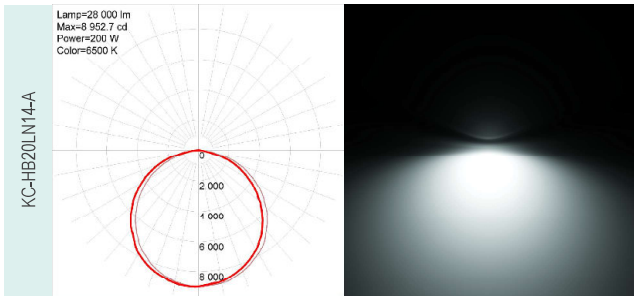
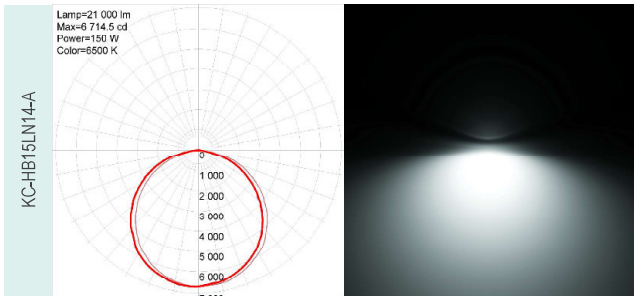
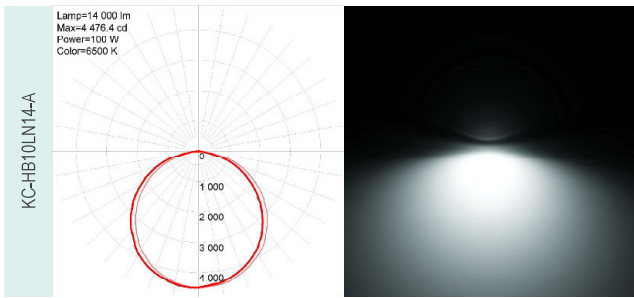
Specifications

Model	Wattage	Luminous Flux	Input Voltage	Power Factor	Temperature Color	CRI	Working Temperature	Life Span	Warranty
KC-HB10LN14-A	100	14000 lm	90 - 305 VAC	0.95	3000K/6500K	80 Ra	- 5 to 45 °C	50000 Hrs	1 Year
KC-HB15LN14-A	150	21000 lm	90 - 305 VAC	0.95	3000K/6500K	80 Ra	- 5 to 45 °C	50000 Hrs	1 Year
KC-HB20LN14-A	200	28000 lm	90 - 305 VAC	0.95	3000K/6500K	80 Ra	- 5 to 45 °C	50000 Hrs	1 Year

How to replace a exist lamp?



Light Distribution



Structure Diagram

