

## FDP3000-H Sanitary Type

### Summary

FDP3000 single crystal silicon intelligent transmitter. Original imported chip and packaging technology. The smart transmitter can cope with the most demanding industrial environment. A variety of structural designs can measure pressure, differential pressure and flow rate in industry

### Main parameter

Type : Pressure, Differential pressure

Wetted Materials : SUS304, SUS316, SUS316L

Diaphragm Material : SUS316L, C-276, Ta

Shell Material : Cast aluminum

Measure Scope :

Pressure : 2kPa-10MPa

Differential Pressure : 200 kPa -10MPa

Output Signal : 4 ~ 20mA+ HART two wire system

Accuracy :  $\pm 0.1\%$  ,  $\pm 0.05\%$

Stability :  $\pm 0.2\%$

Powder Supply : 10.5-55VDC

Electrical Interface : M20\*1.5 (internal tooth) , 1/2" NPT (internal tooth)

Surrounding temperature :  $-40^{\circ}\text{C} \sim +85^{\circ}\text{C}$

IP grade : IP67

Explosion-proof Grade : ExiaIICT4 , ExdIICT6

Weight : 4kg

Keys : 3pcs outside , 3pcs inside



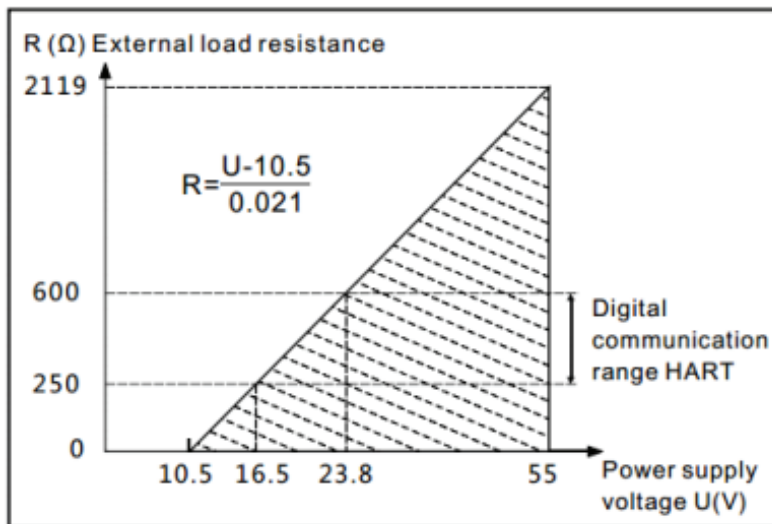
## Range and scope

Nominal Valve	Smallest Calibration Span	Lower Range Limit (LRL)	Upper Range Limit (URL)	Overload Limit
40kPa	10 kPa	-40 kPa	40 kPa	1 MPa
250 kPa	25 kPa	-100 kPa	250 kPa	4 MPa
1 MPa	100 kPa	-100 kPa	1 MPa	6 MPa
3 MPa	300 kPa	-100 kPa	3 MPa	15 MPa

The unit of the measuring range above can be converted into kg/m<sup>2</sup>, MPa and kPa. Provide other measuring range according to requirements. Adjust requirements : lower range value (LRV) and upper range value (URV) can be adjusted within the scope of the upper and lower range limit, smallest calibratable span <= | URV - LRV | <= maximum measuring range.

\*Overvoltage value : depending on the pressure value of the weakest parts.

## Power supply and load requirements

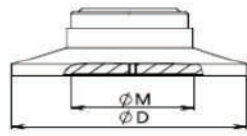


## EMC environment

No.	Test items	Basic standards	Test conditions	Performance level
1	Radiated interface	GB/T 9254/CISPR22	30 MHz - 1000 MHz	OK
2	Conducted interface (DC power port)	GB/T 9254/CISPR22	0.15 MHz - 30 MHz	OK
3	Electrostatic discharge immunity test (ESD)	GB/T 17626.2/IEC61000-4-2	4 kV (Contact), 8 kV (Air)	B (Note 2)
4	Immunity to radio frequency EM-field	GB/T 17626.3/IEC61000-4-3	10 V/m (80 MHz - 1 GHz)	A (Note 1)
5	Power frequency magnetic field immunity test	GB/T 17626.8/IEC61000-4-8	30 A/m	A (Note 1)
6	Electrical fast transient/ Burst immunity test	GB/T 17626.4/IEC61000-4-4	2 kV (5/50 ns, 100 kHz)	B (Note 2)
7	Surge immunity requirements	GB/T 17626.5/IEC61000-4-5	1 kV (Line to Line) 2 kV (Line to ground) (1.2 us/ 50 us)	B (Note 2)
8	Immunity to conducted disturbances induced by radio frequency fields	GB/T 17626.6/IEC61000-4-6	3 V (150 kHz - 80 MHz)	A (Note 1)

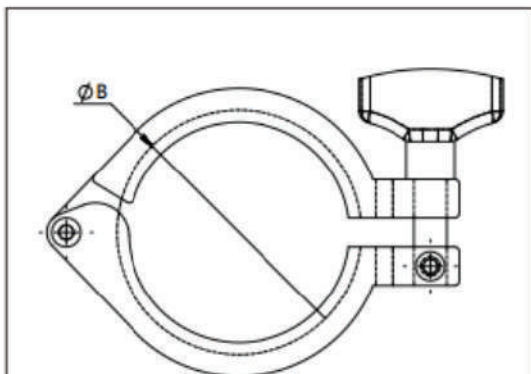
(Note 1) Performance level A: The performance within the limits of normal technical specifications.  
 (Note 2) Performance level B: Temporary reduction or loss of functionality or performance, it can restore itself. The actual operating conditions, storage and data will not be changed.

# Outline dimensional drawing (unit : mm)



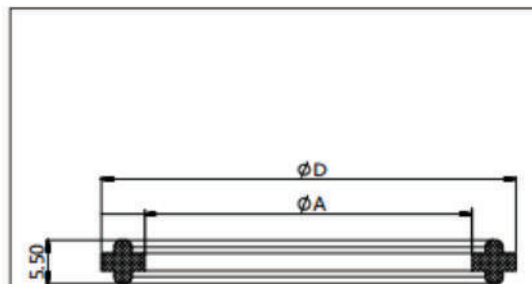
Standard	Specification	Size( $\phi D$ )	Diaphragm size( $\phi M$ )
Tri-Clamp	1-1/2"	50.5	31
Tri-Clamp	2"	64	42

Clamp(G1-G2)(unit: mm)



Standard	Specification	Dimension( $\phi B$ )
Tri-Clamp	1-1/2"	53.9
Tri-Clamp	2"	67.4

Sealing gasket (M1-M2) (unit: mm)



Standard	Specification	Size ( $\phi D$ )	Size( $\phi A$ )
Tri-Clamp	1-1/2"	50.5	35
Tri-Clamp	2"	64	47.8

Alldismo Co.,Ltd.

362/1 Soi Rama Nine 20, Rama 9 Rd., Bangkapi, Huai-khwang District, Bangkok 10310. Thailand  
<http://alldismo.co.th> 02-096-6595 Ext. 2