

Product Description

- Ventilation butterfly valve uses the aluminum alloy material as the valve body to process the seal ring and adopts electric or pneumatic actuator.
- The applicable temperature depends on the valve body selection, nominal pressure $\leq 0.6\text{MPa}$, generally applicable to industrial, metallurgical, environmental protection and other pipelines for ventilation regulation media flow use.
- Ventilation butterfly valves are used in the dusty cold air or hot air gas pipelines in the ventilation and environmental protection projects in the chemical, building materials, power stations, and glass industries, as a gas medium to regulate the flow or cut off the pipeline control devices.
- This type of valve should generally be installed horizontally in the pipeline.
- When the ventilating butterfly valve is in the fully open position, the thickness of the ventilating disc is the resistance when the medium flows through the valve body, so the pressure drop generated by the valve is very small, so it has better flow control characteristics.



Main Specification

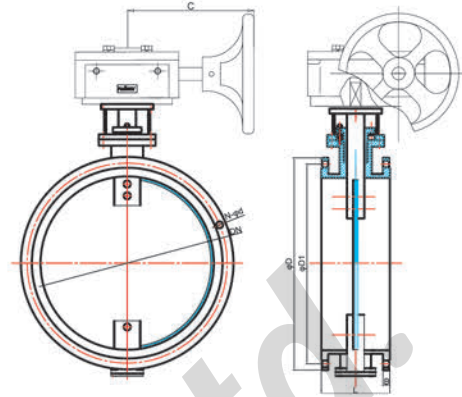
Nominal Size	Operated Type	Pressure	Temperature	Seal/Disc/Body Material	Medium	Application	Connection Standard
DN80	Pneumatic Actuator	PN6	-15-430°C	Cast Iron	Waste Gas	VTO Incinerator	PN10/PN16
↓	Electric Actuator	PN10		Stainless Steel	Smoke	Ventilating Pipe	ANSI150
	Manual Hand Lever	PN16		Alloy Steel	Aeration		DIN16
2000	Worm Gear			Chromium			JIS10K/16K
				Molybdenum Steel			
				Other Special Materials			

Seal Material Option And Applicable Temperature

Materials	Carbon Steel	Low Carbon Steel	Alloy Steel		Austenitic Stainless Steel	Chromium-molybdenum Steel
Code	WCB	LCB	WC6/WC9	C6/C9	Cr18/304/316	12CrMoV
Max Tem	425°C	345°C	595°C	650°C	600°C	560°C
Min Tem	-29°C	-46°C	-29°C	-29°C	-196°C	-40°C
Working temperature	$\leq 425^\circ\text{C}$	$\leq 345^\circ\text{C}$	$\leq 595^\circ\text{C}$	$\leq 650^\circ\text{C}$	$\leq 600^\circ\text{C}$	$\leq 560^\circ\text{C}$

Visit our website to know more details: www.flowxcontrol.com

Manual Handle Lever Operated

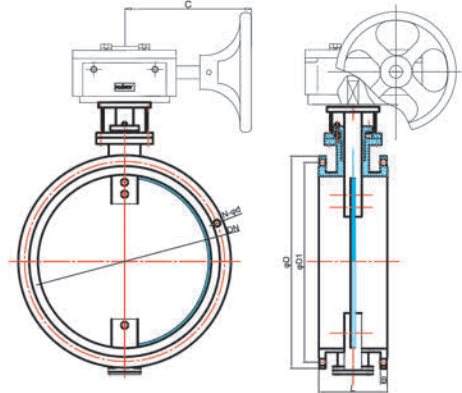


■ Dimensions

unit: mm

Size		b	L	D	D1	N-Φd	C
DN	NPS						
80	3"	14	110	185	150	4-Φ18	99
100	4"	14	110	205	170	4-Φ18	99
150	6"	16	110	260	225	8-Φ18	115
200	8"	18	140	315	280	8-Φ18	115
250	10"	18	140	370	335	12-Φ18	115
300	12"	20	170	435	395	12-Φ23	115
350	14"	20	170	485	445	12-Φ23	115
400	16"	20	190	535	495	16-Φ23	220
450	18"	22	190	590	550	16-Φ23	220
500	20"	22	190	640	600	16-Φ23	220

Worm Gear Operated



■ Dimensions

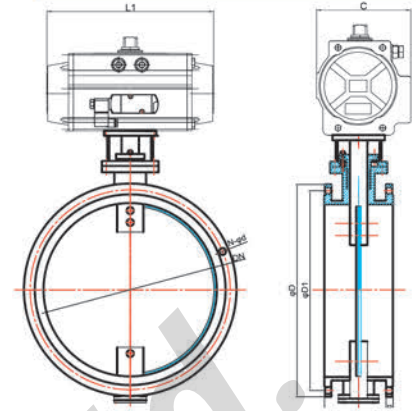
unit: mm

Size		b	L	D	D1	N-Φd	C
DN	NPS						
80	3"	14	110	185	150	4-Φ18	99
100	4"	14	110	205	170	4-Φ18	99
150	6"	16	110	260	225	8-Φ18	115
200	8"	18	140	315	280	8-Φ18	115
250	10"	18	140	370	335	12-Φ18	115
300	12"	20	170	435	395	12-Φ23	115
350	14"	20	170	485	445	12-Φ23	115
400	16"	20	190	535	495	16-Φ23	220
450	18"	22	190	590	550	16-Φ23	220
500	20"	22	190	640	600	16-Φ23	220

VENTILATION BUTTERFLY VALVE



Pneumatic Actuator Operated

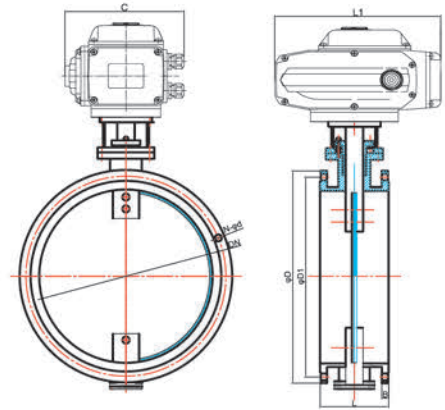


■ Dimensions

unit: mm

Size		b	L	D	D1	N-Φd	L1	C
DN	NPS							
80	3"	14	110	185	150	4-Φ18	237.5	106
100	4"	14	110	205	170	4-Φ18	237.5	106
150	6"	16	110	260	225	8-Φ18	271.5	123
200	8"	18	140	315	280	8-Φ18	271.5	123
250	10"	18	140	370	335	12-Φ18	328	137
300	12"	20	170	435	395	12-Φ23	328	137
350	14"	20	170	485	445	12-Φ23	366	148
400	16"	20	190	535	495	16-Φ23	366	148
450	18"	22	190	590	550	16-Φ23	428	164
500	20"	22	190	640	600	16-Φ23	428	164

Electric Actuator Operated



■ Dimensions

unit: mm

Size		b	L	D	D1	N-Φd	L1	C
DN	NPS							
80	3"	14	110	185	150	4-Φ18	211.5	154
100	4"	14	110	205	170	4-Φ18	211.5	157
150	6"	16	110	260	225	8-Φ18	259	186
200	8"	18	140	315	280	8-Φ18	259	186
250	10"	18	140	370	335	12-Φ18	259	186
300	12"	20	170	435	395	12-Φ23	259	186
350	14"	20	170	485	445	12-Φ23	259	186
400	16"	20	190	535	495	16-Φ23	259	186
450	18"	22	190	590	550	16-Φ23	259	186
500	20"	22	190	640	600	16-Φ23	259	186