

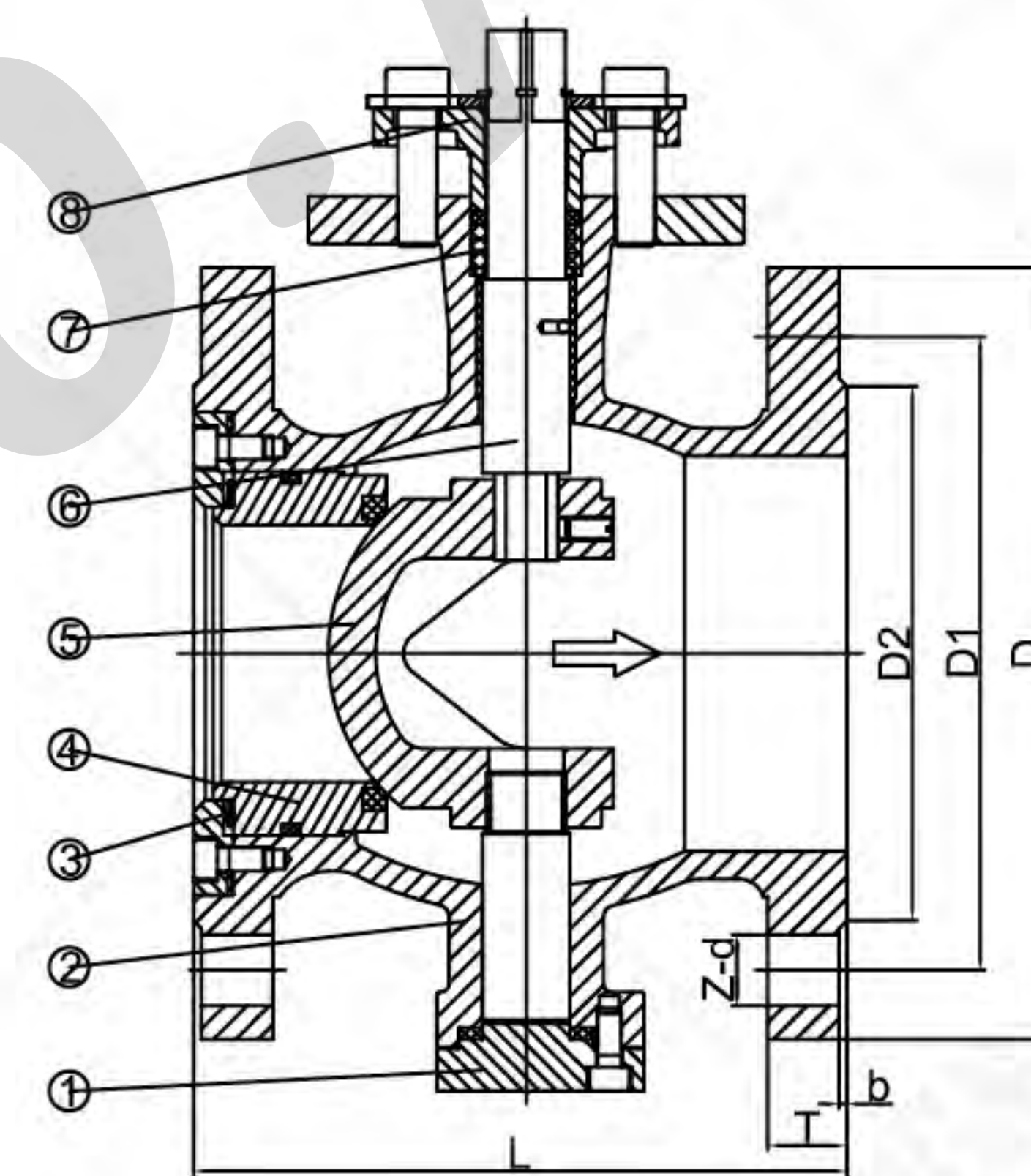
V-Type Flanged Ball Valves

■ Features

- > 1/2" through 8"
- > wafer or flange connection
- > 150LB working pressure
- > Temperature rating varies from with o-ring material
- > With characterized V-ports, slotted ports or custom ports,
- > V-Control Ball Valves provide accurate flow control.
- > Available in 3-Piece and Flanged bodies, V-Control valves offer superior rangeability, repeatability and high flow capacity.
- > Designed for easy automation
- > Ideal control element in process piping systems.
- > Inspection and testing meet API598

■ Material List

NO.	PARTS NAME	MATERIAL	QTY
1	GLAND	WCB/CF8/CF8M	1
2	BODY	WCB/CF8/CF8M	1
3	SEAL	FPM	2
4	SEAT	SS304+STL/SS316+STL	1
5	BALL	CF8+STL/CF8M/STL	1
6	STEM	SS304/SS316	1
7	PACKING	PTFE	1
8	PACKING RING	WCB/CF8/CF8M	1



■ Dimensional Data

Size		D	D1	D2	L1	d	T	f	L
DN	In.								
25	1	110	79.4	50.8	4	15.9	16	2	102
32	1¼	115	88.9	63.5	4	15.9	18	2	102
40	1½	125	98.4	73	4	15.9	18	2	114
50	2	150	120.7	92.1	4	19.1	18	2	124
65	2½	180	139.7	104.8	4	19.1	19	2	145
80	3	190	152.4	127	4	19.1	20	2	165
100	4	230	190.5	157.2	8	19.1	20	2	194
125	5	255	215.9	185.7	8	22.2	22	2	194
150	6	280	241.3	215.9	8	22.2	24	2	229
200	8	345	298.5	269.9	8	22.2	26	2	243

Valve Operator

Lever operation

- Pneumatic or electric actuators available.
- Limit switches, positioners, solenoid valves and many other customer options available.
- Contact FLOWX for appropriate choice and sizing of valve actuators.

ALL VALVES ARE 100% ELECTRONICALLY TESTED AT 80 PSI IN BOTH THE OPEN AND CLOSED POSITIONS

FLOWX VALVE • WORLD-CLASS VALVE SUPPLIERS • T (86) 021 3497 7873 • F (86) 021 5415 0271 • Email:sales@flowxvalve.com

V-Type Flanged Ball Valves

■ Features of Actuators

- > Heavy duty Rack and pinion design
- > Spring return or double acting
- > Open and closed adjustment stops
- > True NAMUR accessory and ISO mounting
- > Visual indicator, Top Mount indicator
- > High temperature and corrosion resistant models available
- > Solenoids, limit switches, positioners and other accessories are available

- > Fully adjustable limit switches allow for fine control of on-off positions
- > All electric actuators are available for modulating (4-20mA control) or on-off service
- > Motor has thermal overload protection
- > Running Time: 9s/13s/15s/30s/50s/100s/150s
- > Heavy-duty gear train motor with permanent lubrication
- > ISO bottom mounting for direct mount actuation with true ISO valves on most models



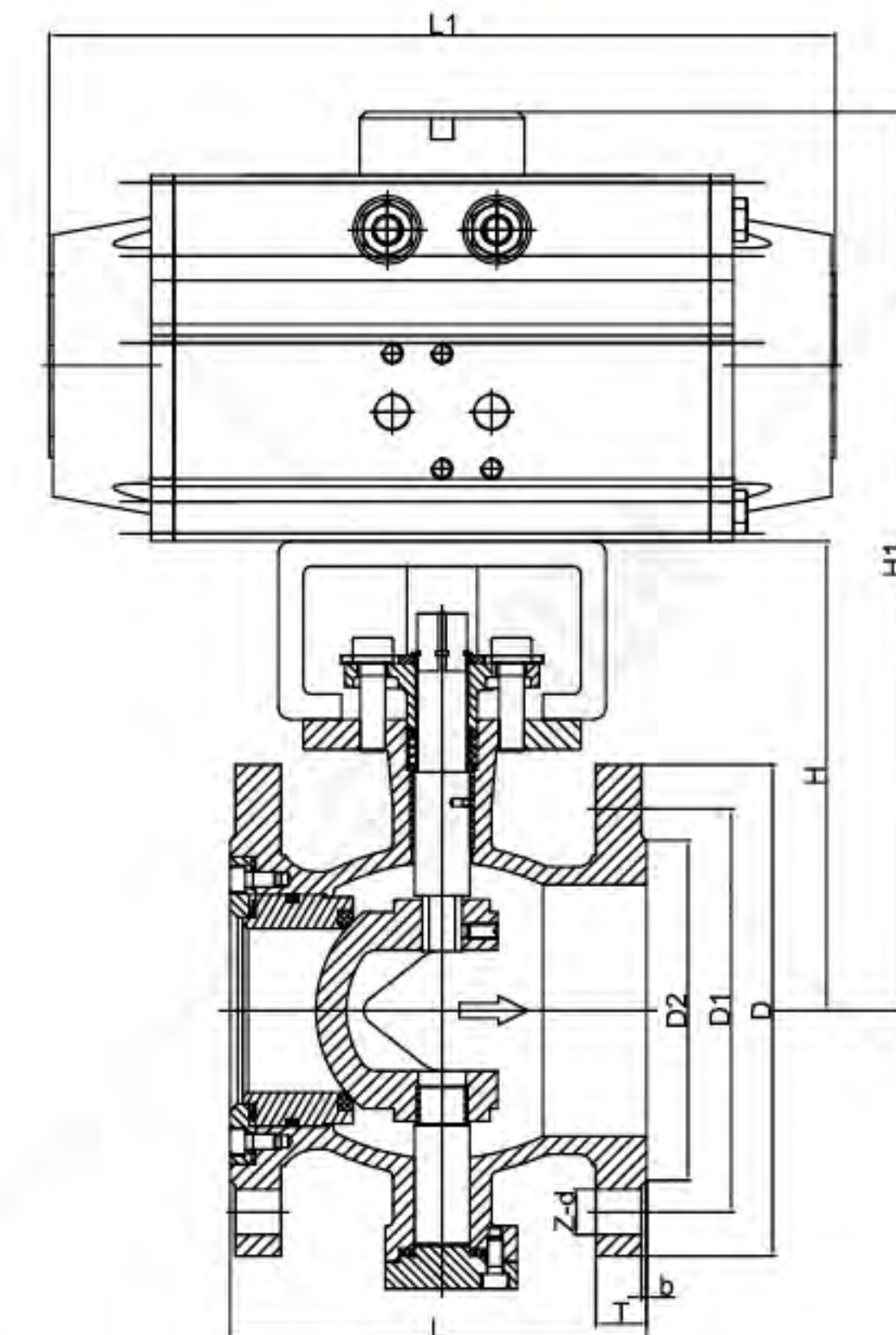
Pneumatically Operated



Electrically Operated

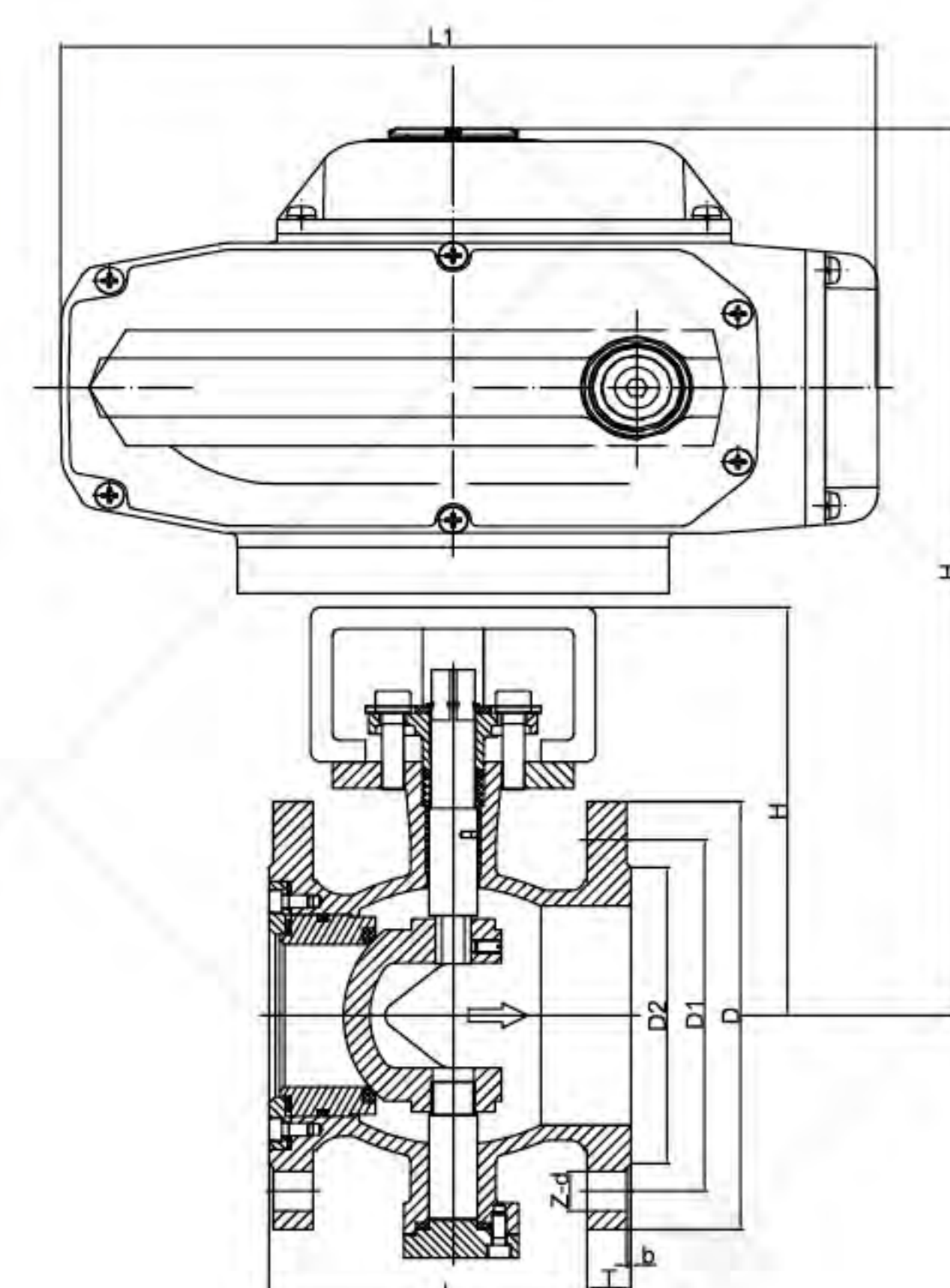
■ Dimensional Data

Size		D	D1	D2	Z	d	T	f	L	H	SR		DA	
DN	In.										H1	L1	H1	L1
25	1	110	79.4	50.8	4	15.9	16	2	102	133	261.5	237.5	250	207
32	1¼	115	88.9	63.5	4	15.9	18	2	102	138	264.5	237.5	255	207
40	1½	125	98.4	73	4	15.9	18	2	114	140	281.5	271.5	268.5	237.5
50	2	150	120.7	92.1	4	19.1	19	2	124	150	321.5	320	291.5	271.5
65	2½	180	139.7	104.8	4	19.1	20	2	145	165	348.5	366	336.5	320
80	3	190	152.4	127	4	19.1	20	2	165	178	361.5	366	349.5	320
100	4	230	190.5	157.2	8	19.1	22	2	194	190	396	428	373.5	366
125	5	255	215.9	185.7	8	22.2	22	2	194	205	427	430	411	428
150	6	280	241.3	215.9	8	22.2	24	2	229	235	509	532	457	430
200	8	345	298.5	269.9	8	22.2	26	2	243	265	583	662	539	532



■ Dimensional Data

Size		D	D1	D2	Z	d	T	f	L	H	L1	H1
DN	In.											
25	1	110	79.4	50.8	4	15.9	16	2	102	133	165	270.5
32	1¼	115	88.9	63.5	4	15.9	18	2	102	138	211.5	306.5
40	1½	125	98.1	73	4	15.9	18	2	114	140	211.5	282.5
50	2	150	120.7	92.1	4	19.1	19	2	124	150	259	353
65	2½	180	139.7	104.8	4	19.1	20	2	145	165	259	368
80	3	190	152.4	127	4	19.1	20	2	165	178	259	381
100	4	230	190.5	157.2	8	19.1	22	2	194	190	259	393
125	5	255	215.9	185.7	8	22.2	22	2	194	205	259	408
150	6	280	241.3	215.9	8	22.2	24	2	229	235	259	438
200	8	345	298.5	269.9	8	22.2	26	2	243	265	283.5	495



ALL VALVES ARE 100% ELECTRONICALLY TESTED AT 80 PSI IN BOTH THE OPEN AND CLOSED POSITIONS