

2-Piece Thread Ball Valves

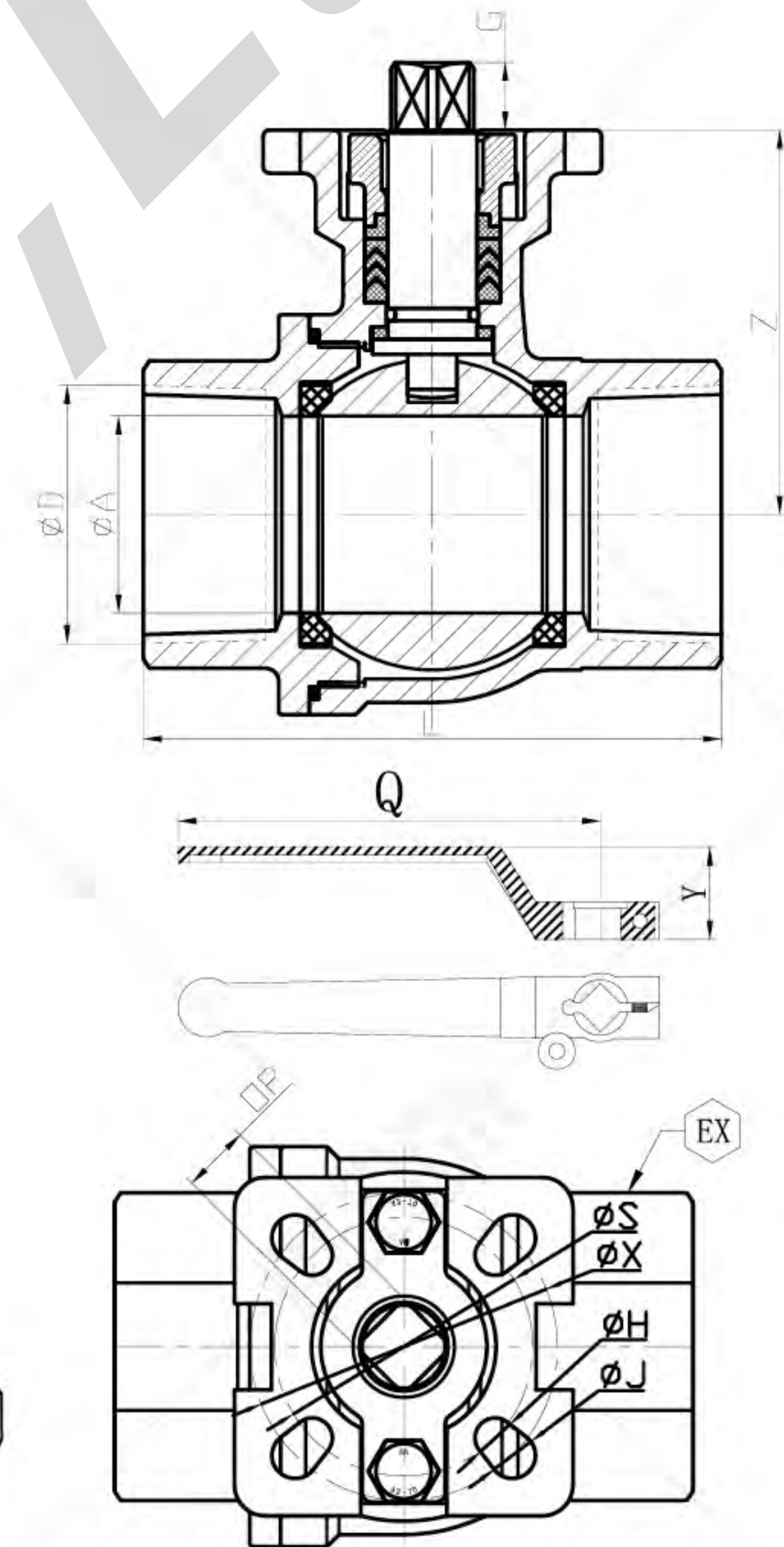
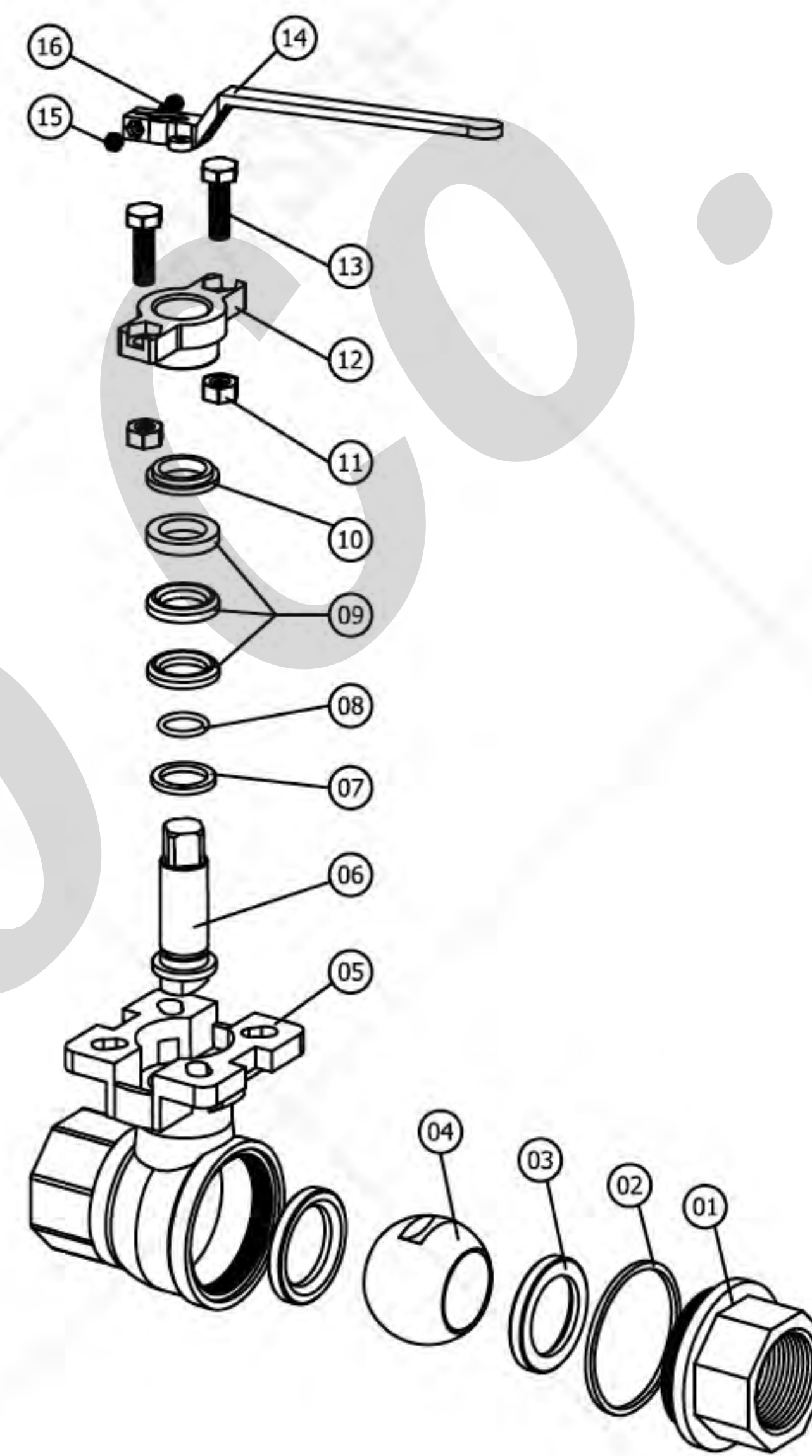
Features

- > Design at an economical price
- > Each valves comply with ISO 5211
- > Full port stainless steel 2-piece ball valve
- > 3/8" through 2" NPT
- > Antistatic device
- > Blowout-proof stem
- > Pressure rating 1000 wog
- > Temperature rating varies from with o-ring material
- > Threaded End Connections meet NPT, BSPT,DIN
- > Inspection and testing to current API598, EN1226



Material List

NO.	PARTS NAME	MATERIAL		
1	GLAND	WCB	CF8	CF8M
2	SEAL	TFM1600		
3	SEAT	TFM1600		
4	BALL	SS304	SS316	
5	BODY	WCB	CF8	CF8M
6	STEM	SS304		
7	GASKET	RPTFE		
8	O-RING	VITON		
9	V-TYPE PACKING	TFM1600		
10	SHAFT SLEEVE	RPTFE		
11	NUT	45#	CF8	
12	PCKING GLAND	WCB	A2-70	
13	BLOT	45#	CF8	
14	HANDLE	WCB	A2-70	
15	NUT	A2-70		
16	BLOT	A2-70		



Dimentional Data

Size		ΦD	ΦA	L	Z	G	OP	EX	ΦS	ΦX	ΦH	ΦJ	Q	Y
DN	In.													
10	3/8	NPT	13	69	44.5	9	9	27	50	36	6	7	165	28
15	1/2		15	69	44.5	9	9	27	50	36	6	7		
20	3/4		20	71	46	9	9	32	50	36	6	7		
25	1		25	86	58	11	11	41	50	42	6	7	197	30
32	1 1/4		32	94	62.5	11	11	50	50	42	6	7		
40	1 1/4		38	105	72.5	14	14	56	70	50	7	9	232	37
50	2	50	127	80.5	14	14	70	70	50	7	9			

Valve Operator

Lever operation

- Pneumatic or electric actuators available.
- Limit switches, positioners, solenoid valves and many other customer options available.
- Contact FLOWX for appropriate choice and sizing of valve actuators.

ALL VALVES ARE 100% ELECTRONICALLY TESTED AT 80 PSI IN BOTH THE OPEN AND CLOSED POSITIONS

FLOWX VALVE • WORLD-CLASS VALVE SUPPLIERS • T (86) 021 3497 7873 • F (86) 021 5415 0271 • Email:sales@flowxvalve.com

2-Piece Thread Ball Valves

■ Features of Actuators

- > Heavy duty Rack and pinion design
- > Spring return or double acting
- > Open and closed adjustment stops
- > True NAMUR accessory and ISO mounting
- > Visual indicator, Top Mount indicator
- > High temperature and corrosion resistant models available
- > Solenoids, limit switches, positioners and other accessories are available

- > Fully adjustable limit switches allow for fine control of on-off positions
- > All electric actuators are available for modulating (4-20mA control) or on-off service
- > Motor has thermal overload protection
- > Running Time: 9s/13s/15s/30s/50s/100s/150s
- > Heavy-duty gear train motor with permanent lubrication
- > ISO bottom mounting for direct mount actuation with true ISO valves on most models



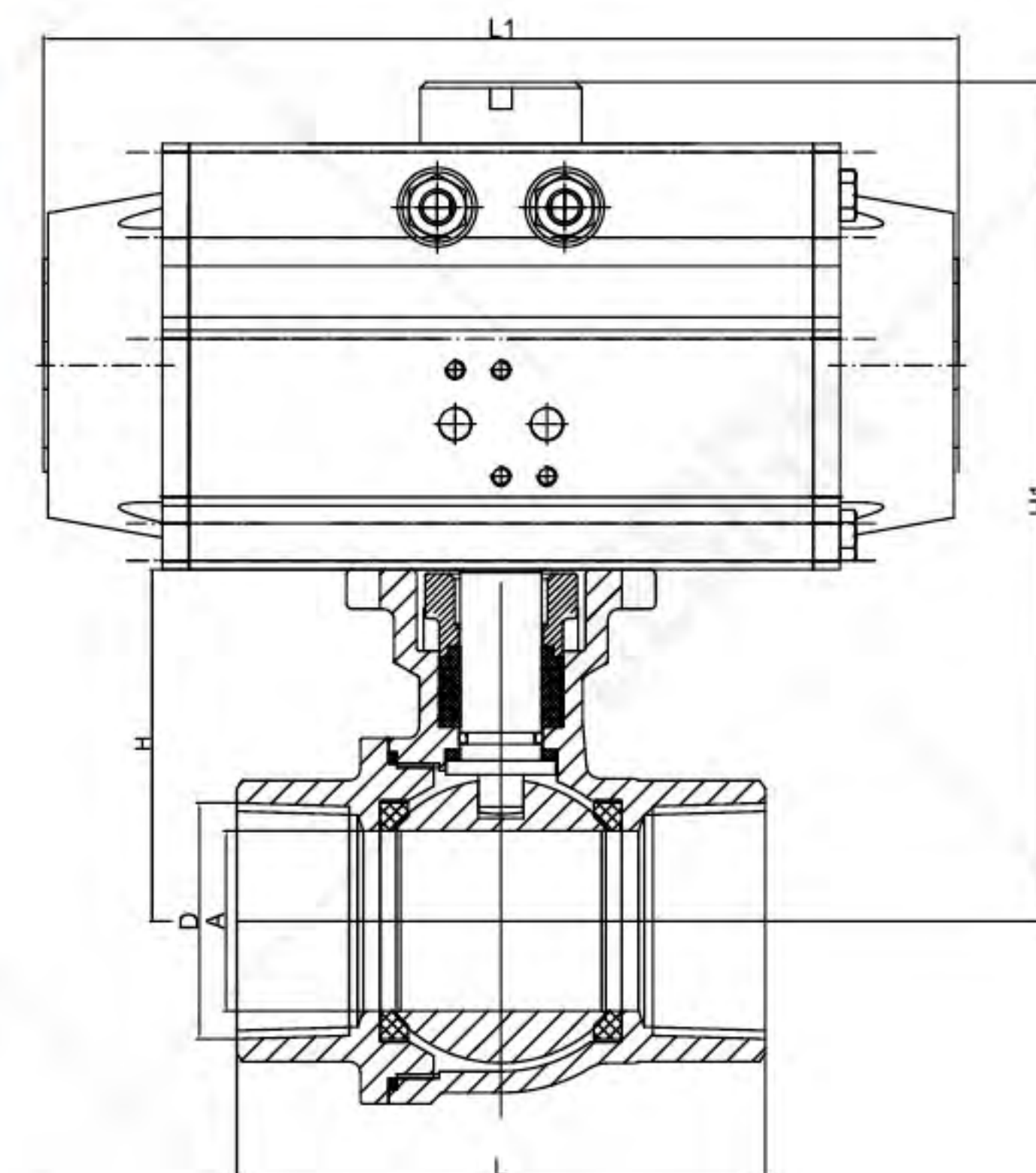
Pneumatically Operated



Electrically Operated

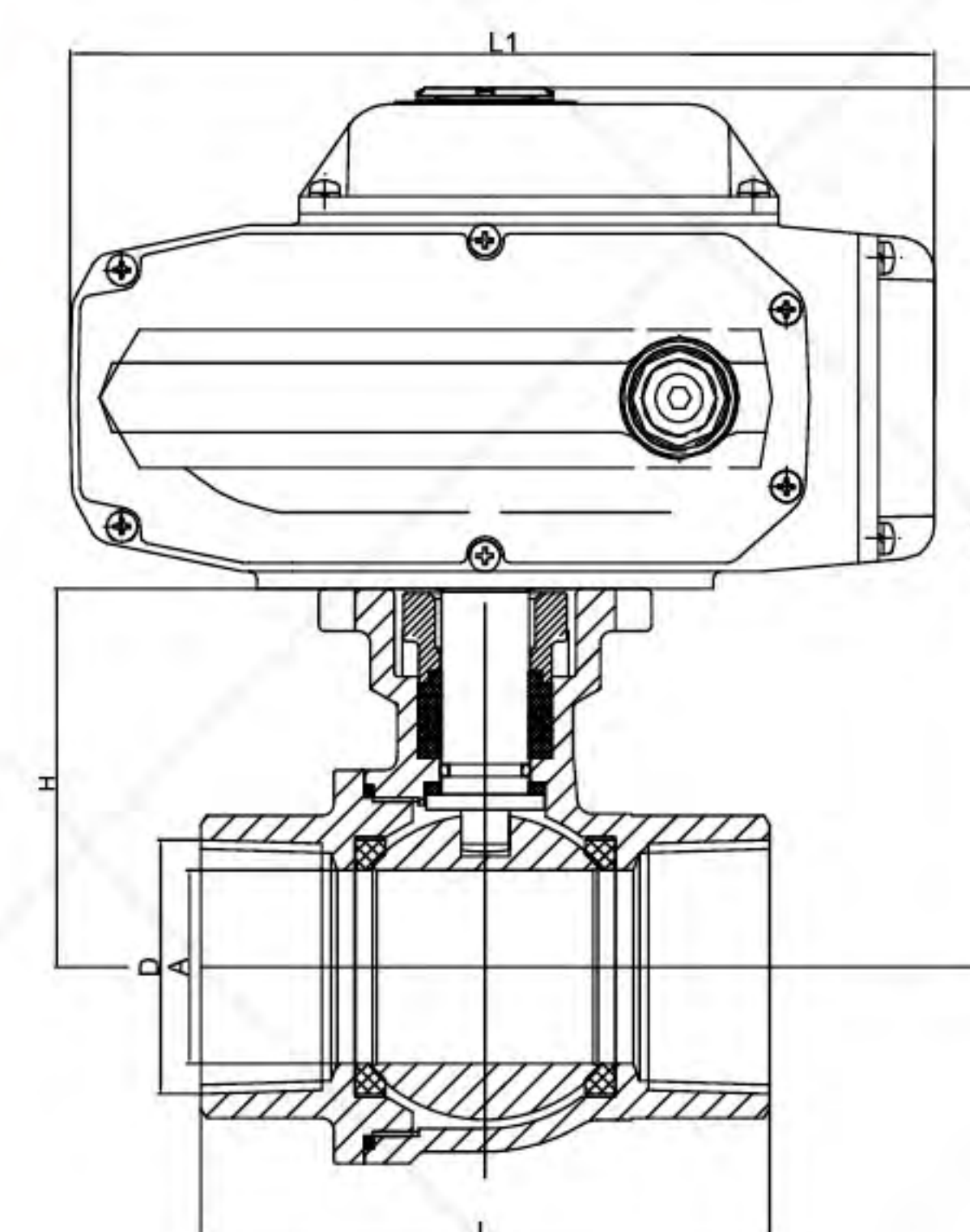
■ Dimensional Data

Size		A	L	H	SR		DA		THREAD
DN	In.				H1	L1	H1	L1	
10	3/8	13	69	44.5	145	162	134	139.5	NPT BSP DIN
15	1/2	15	69	44.5	145	162	134	139.5	
20	3/4	20	71	46	146.5	162	135.5	139.5	
25	1	25	86	58	175	207	158.9	162	
32	1 1/4	32	94	62.5	179.3	207	163	162	
40	1 1/2	38	105	72.5	201.5	237.5	189.5	207	
50	2	50	127	80.5	209	237.5	197.7	207	



■ Dimensional Data

Size		d	L	H	L1	H1	THREAD
DN	In.						
10	3/8	13	69	44.5	165	182	NPT BSP DIN
15	1/2	15	69	44.5	165	182	
20	3/4	20	71	46	165	183.5	
25	1	25	86	58	165	195.9	
32	1 1/4	32	94	62.5	165	200	
40	1 1/2	38	105	72.5	165	210	
50	2	50	127	80.5	211.5	249	



ALL VALVES ARE 100% ELECTRONICALLY TESTED AT 80 PSI IN BOTH THE OPEN AND CLOSED POSITIONS