

True Union Ball Valves

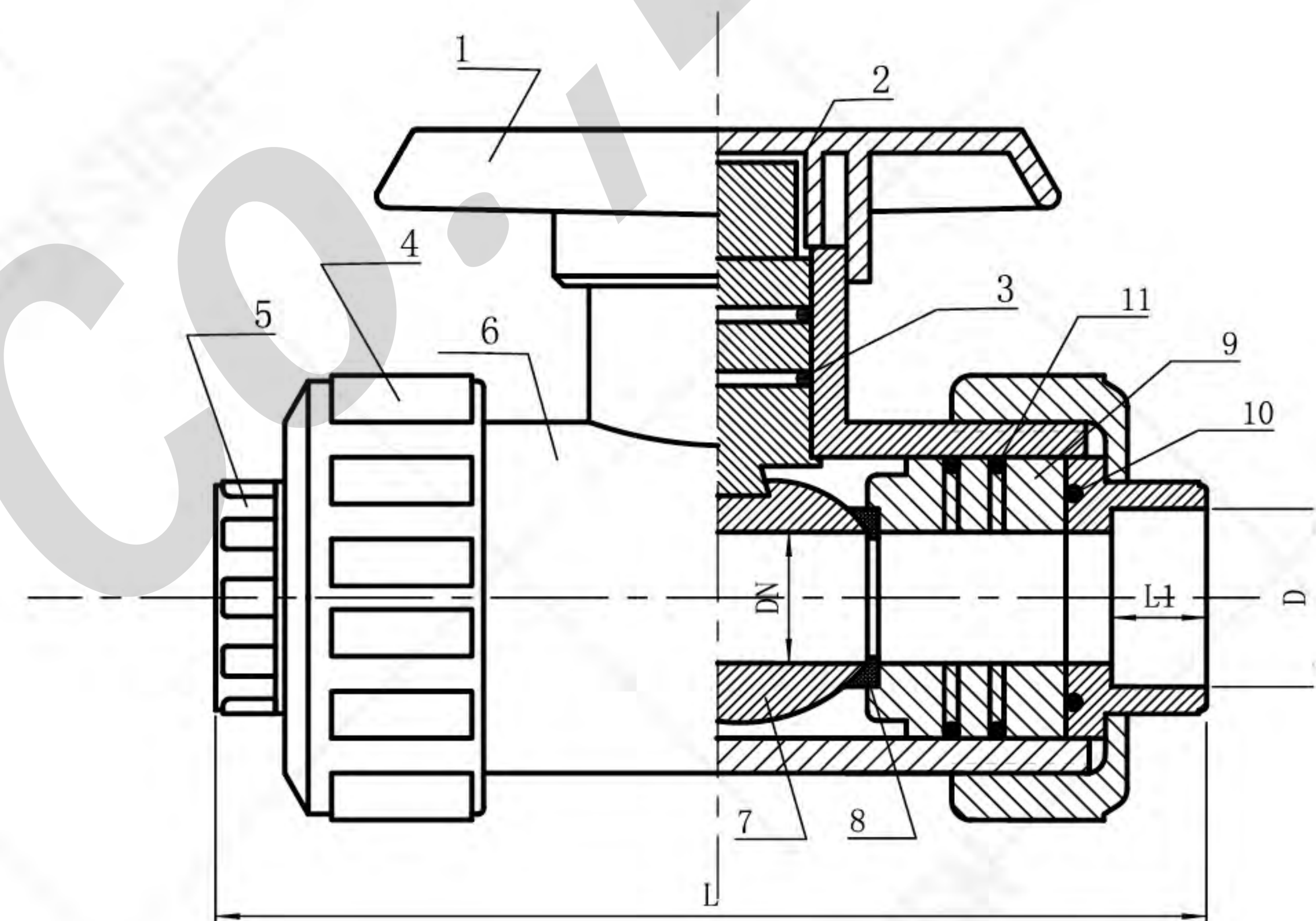
■ Features

- > 1/2" through 4"
- > True Union Ends
- > PN10 working pressure
- > Temperature rating varies from with o-ring material
- > Electric and Pneumatic Actuators
- > Cost-efficient Actuators
- > Ideal for Use in Chemical, Industrial, Irrigation, or
- > Pool and Spa NSF Listed for Potable Water



■ Material List

NO.	PARTS NAME	MATERIAL	QTY
1	HANDLE	ABS	1
2	STEM	UPVC	1
3	SEALING	EPDM	2
4	NUT	UPVC	2
5	JOINT	UPVC	2
6	BODY	UPVC	1
7	BALL	UPVC	1
8	SEAL	PTFE	2
9	PLUG	UPVC	2
10	SEAL	EPDM	2
11	SEAL	EPDM	2



■ Dimensional Data

Size		D	L	L1
DN	In.			
15	1/2	20	100	15
25	1	32	118	20
32	1 1/4	40	150	23
40	1 1/2	50	170	25
50	2	63	200	28
65	2 1/2	75	215	32
80	3	90	265	35
100	4	110	360	45

Valve Operator

Lever operation

- Pneumatic or electric actuators available.
- Limit switches, positioners, solenoid valves and many other customer options available.
- Contact FLOWX for appropriate choice and sizing of valve actuators.

ALL VALVES ARE 100% ELECTRONICALLY TESTED AT 80 PSI IN BOTH THE OPEN AND CLOSED POSITIONS

FLOWX VALVE • WORLD-CLASS VALVE SUPPLIERS • T (86) 021 3497 7873 • F (86) 021 5415 0271 • Email: sales@flowxvalve.com

True Union Ball Valves

Features of Actuators

- > Heavy duty Rack and pinion design
- > Spring return or double acting
- > Open and closed adjustment stops
- > True NAMUR accessory and ISO mounting
- > Visual indicator, Top Mount indicator
- > High temperature and corrosion resistant models available
- > Solenoids, limit switches, positioners and other accessories are available

- > Fully adjustable limit switches allow for fine control of on-off positions
- > All electric actuators are available for modulating (4-20mA control) or on-off service
- > Motor has thermal overload protection
- > Running Time: 9s/13s/15s/30s/50s/100s/150s
- > Heavy-duty gear train motor with permanent lubrication
- > ISO bottom mounting for direct mount actuation with true ISO valves on most models



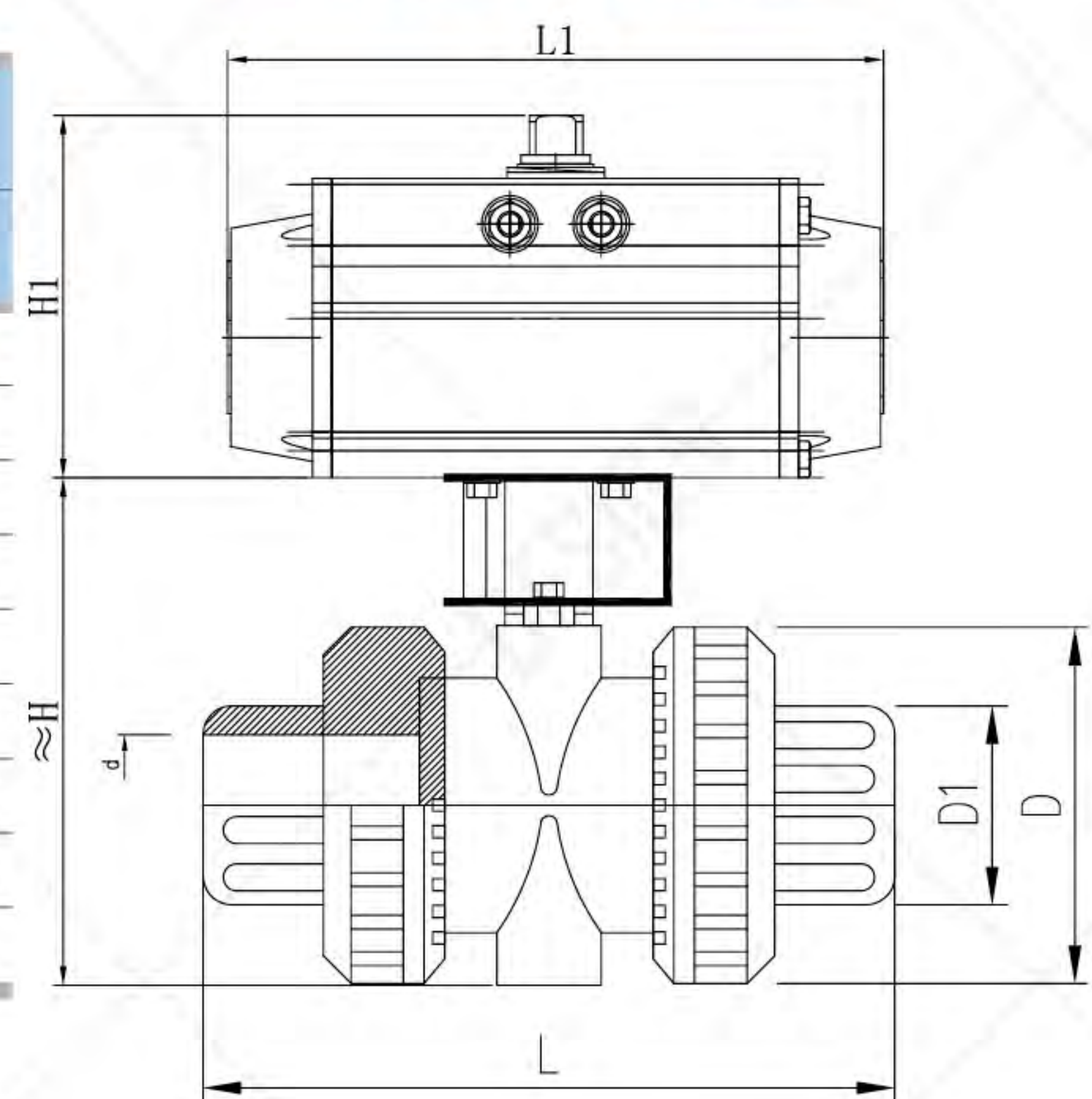
Pneumatically Operated



Electrically Operated

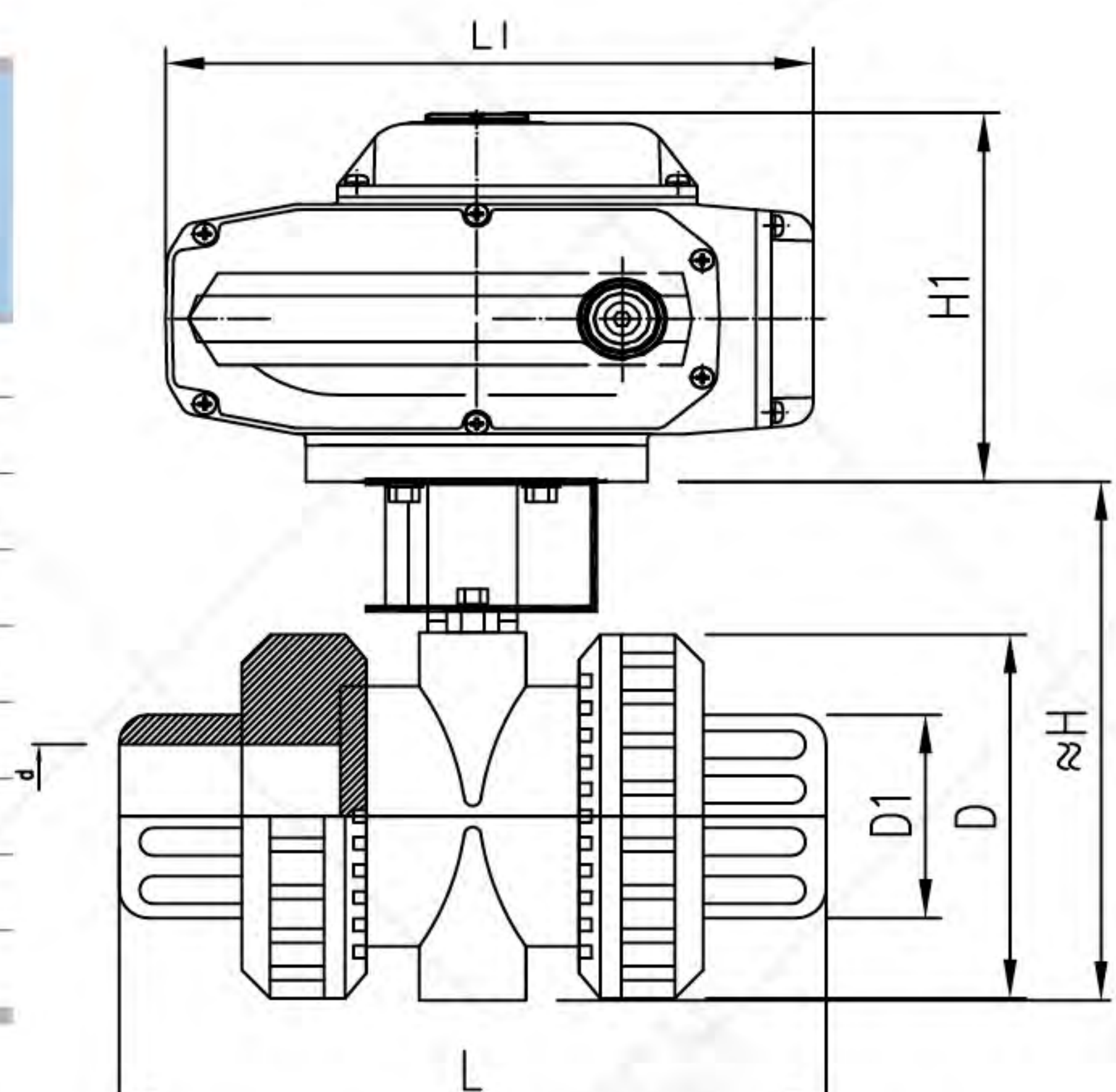
Dimensional Data

Size		Φd	ΦD	ΦD1	L	H	SR		DA	
DN	In.						L1	H1	L1	H1
15	1/2	20	46	30.5	112	81	162	100.5	139.5	89.5
20	3/4	25	55	36.5	130	90	162	100.5	139.5	89.5
25	1	32	66	43.5	144	101	207	117	162	100.5
32	1 1/4	40	82	54	168	117	207	117	162	100.5
40	1 1/2	50	98	64.5	173	133	237.5	128.5	207	117
50	2	63	120	78.5	204	170	237.5	128.5	207	117
65	2 1/2	75	139	92	275	189	271.5	141.5	237.5	128.5
80	3	90	162	109	300.5	212	328	171.5	271.5	141.5
100	4	110	226	145.5	330	286	366	183.5	328	171.5



Dimensional Data

Size		Φd	ΦD	ΦD1	L	H	L1	H1
DN	In.							
15	1/2	20	46	30.5	112	81	165	137.5
20	3/4	25	55	36.5	130	90	165	137.5
25	1	32	66	43.5	144	101	165	137.5
32	1 1/4	40	82	54	168	117	165	137.5
40	1 1/2	50	98	64.5	173	133	165	137.5
50	2	63	120	78.5	204	170	211.5	168.5
65	2 1/2	75	139	92	275	189	259	203
80	3	90	162	109	300.5	212	259	203
100	4	110	226	145.5	330	286	259	203



ALL VALVES ARE 100% ELECTRONICALLY TESTED AT 80 PSI IN BOTH THE OPEN AND CLOSED POSITIONS