

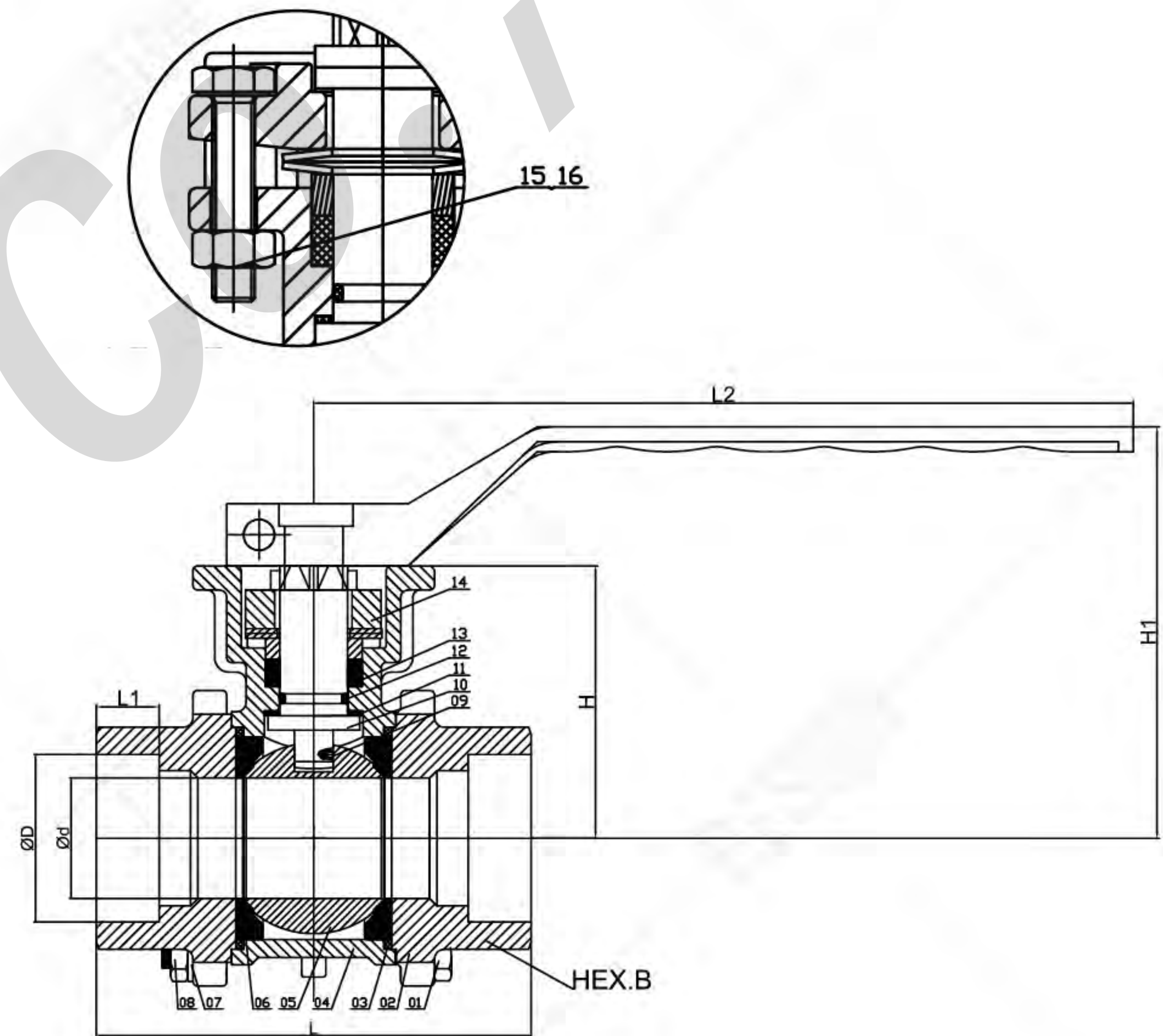
Socket Welding Ball Valves

Features

- > Full port stainless steel ball valve
- > 1/2" through 4"
- > Antistatic device
- > Blowout-proof stem
- > 1000 Wog working pressure
- > Temperature rating varies from with o-ring material
- > Socket Welding end connections
- > Inspection and testing to MSS SP-110

Material List

NO.	PARTS NAME	MATERIAL	QTY
1	BOLT	A2-70	4
2	BONNET	CF8/CF8M	1
3	BODY GASKET	TFM1600	1
4	BODY	CF8/CF8M	1
5	BALL	SS304/SS316	1
6	SEAT	TFM1600	1
7	SPRING WASHER	SS	1
8	NUT	A2-70	4
9	ANTISTATIC DEVICE	SS	1
10	STEM	SS304/SS316	1
11	THRUST WASHER	PTFE	1
12	O-RING	VITON	1
13	PACKING	TFM1600	3
14	PACKING GLAND	SS	1
15	BOLT	A2-70	2
16	NUT	A2-70	2



Dimensional Data

Size		d	D	L	L1	H	L2	H1
DN	In.							
15	1/2	15	21.8	73	10	44.5	165	72.5
20	3/4	20	27.5	80	13	46	165	74
25	1	25	34.7	90	13	56.4	196	130
32	1 1/4	32	43	110	16	70.3	196	140
40	1 1/2	38	49.5	120	16	79	232	116.5
50	2	50	61.5	140	18	86.7	232	124.2
65	2 1/2	64	77	185	18	114	300	184
80	3	74	90	205	20	121	300	191
100	4	100	115.2	240	20	140	400	232

Valve Operator

Lever operation

- Pneumatic or electric actuators available.
- Limit switches, positioners, solenoid valves and many other customer options available.
- Contact FLOWX for appropriate choice and sizing of valve actuators.

ALL VALVES ARE 100% ELECTRONICALLY TESTED AT 80 PSI IN BOTH THE OPEN AND CLOSED POSITIONS

FLOWX VALVE • WORLD-CLASS VALVE SUPPLIERS • T (86) 021 3497 7873 • F (86) 021 5415 0271 • Email:sales@flowxvalve.com

Socket Welding Ball Valves

Features of Actuators

- > Heavy duty Rack and pinion design
- > Spring return or double acting
- > Open and closed adjustment stops
- > True NAMUR accessory and ISO mounting
- > Visual indicator, Top Mount indicator
- > High temperature and corrosion resistant models available
- > Solenoids, limit switches, positioners and other accessories are available

- > Fully adjustable limit switches allow for fine control of on-off positions
- > All electric actuators are available for modulating (4-20mA control) or on-off service
- > Motor has thermal overload protection
- > Running Time: 9s/13s/15s/30s/50s/100s/150s
- > Heavy-duty gear train motor with permanent lubrication
- > ISO bottom mounting for direct mount actuation with true ISO valves on most models



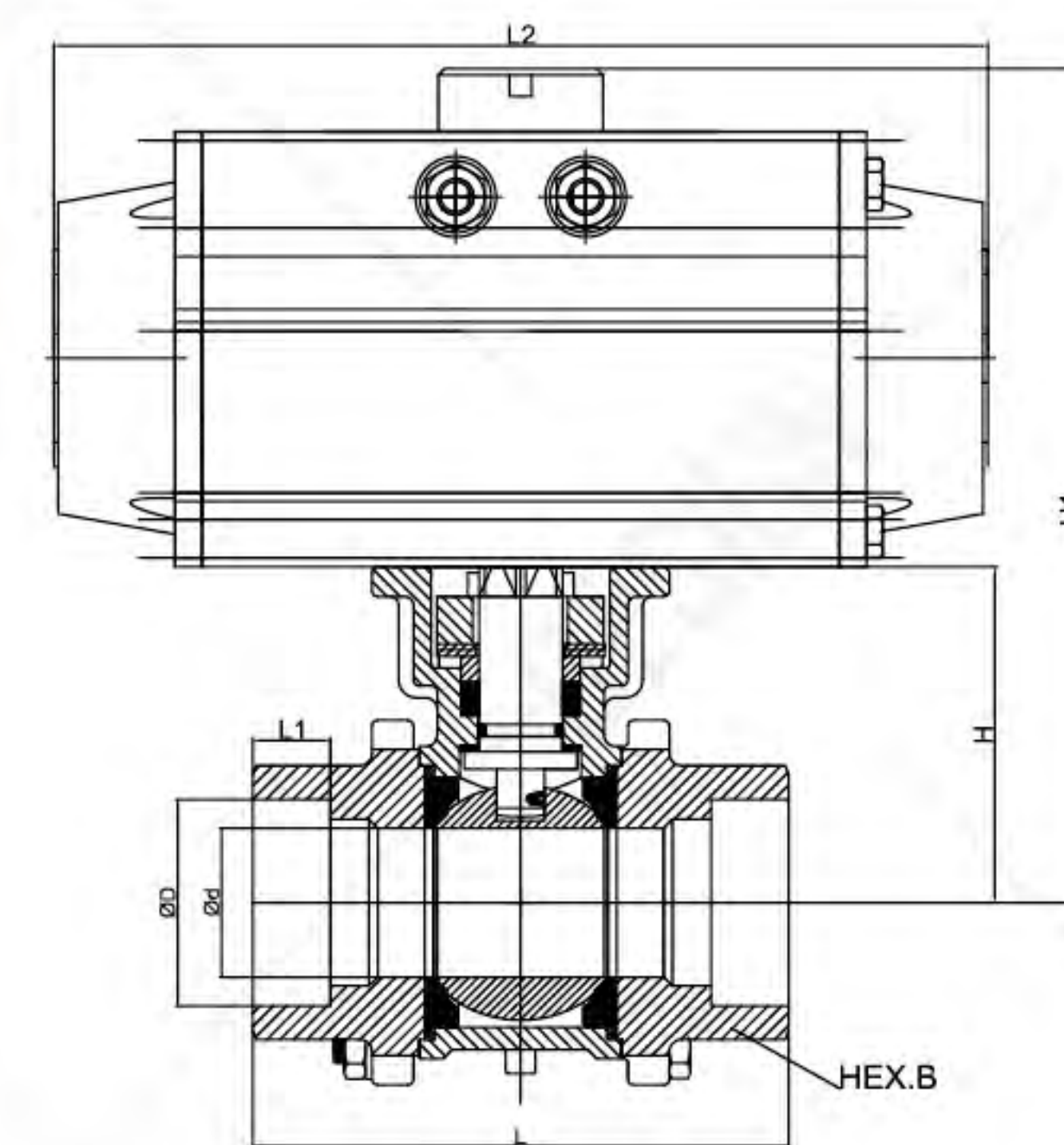
Pneumatically Operated



Electrically Operated

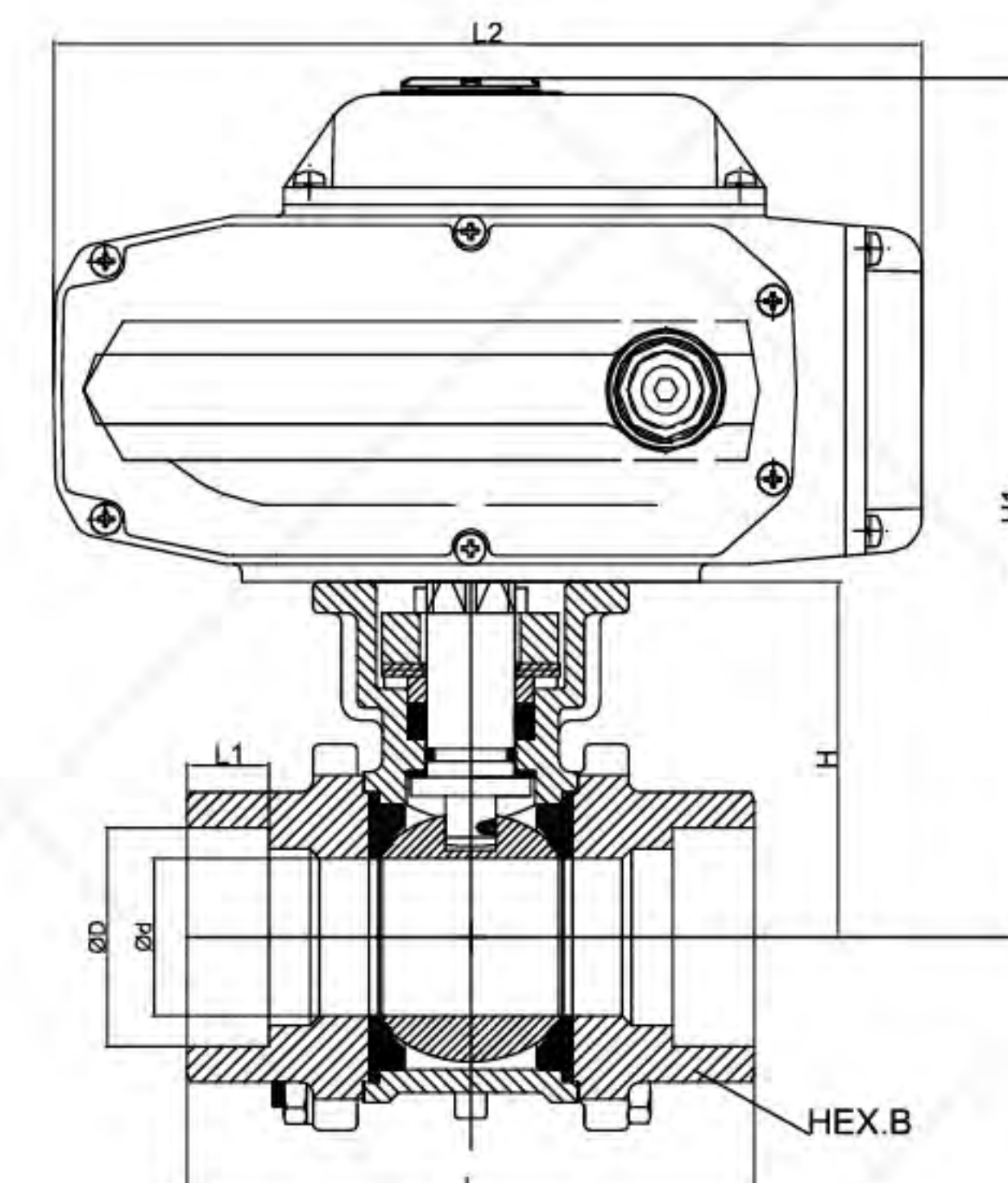
Dimensional Data

Size		d	D	L	L1	H	SR		DA	
DN	In.						H1	L1	H1	L1
15	1/2	15	21.8	73	10	44.5	135	162	124	139.5
20	3/4	20	27.5	80	13	46	153	207	136.5	162
25	1	25	34.7	90	13	56.4	163.4	207	146.9	162
32	1 1/4	32	43	110	16	70.3	177.3	207	160.8	162
40	1 1/2	38	49.5	120	16	79	197.5	237.5	186	207
50	2	50	61.5	140	18	86.7	218.2	271.5	215.2	237.5
65	2 1/2	64	77	185	18	114	275.5	328	245.5	271.5
80	3	74	90	205	20	121	294.5	366	282.5	328
100	4	100	115.2	240	20	140	336	428	313.5	366



Dimensional Data

Size		d	D	L	L1	H	L2	H1
DN	In.							
15	1/2	15	21.8	73	10	44.5	165	182
20	3/4	20	27.5	80	13	46	165	183.5
25	1	25	34.7	90	13	56.4	165	193.9
32	1 1/4	32	43	110	16	70.3	165	207.8
40	1 1/2	38	49.5	120	16	79	211.5	247.5
50	2	50	61.5	140	18	86.7	211.5	255.2
65	2 1/2	64	77	185	18	114	295	317
80	3	74	90	205	20	121	295	324
100	4	100	115.2	240	20	140	295	343



ALL VALVES ARE 100% ELECTRONICALLY TESTED AT 80 PSI IN BOTH THE OPEN AND CLOSED POSITIONS