

Product Description

- FLOWX series powder pneumatic butterfly valve is used advanced Italian technology by first-class engineers to make bold breakthroughs and innovations in the material technology and a new development of a powder, granular materials, material delivery. Since the advent of new industrial products and products, it has created a series of successful applications in extremely harsh environments with granular media, and is very popular by owners and technical engineers in the powder industry.
- The valve body is made of lightweight high-pressure cast aluminum alloy with light weight. valve plate is lined with a steel core of wear-resistant polymer materials, and wear-resistant rubber seals to form a high wear resistance soft seal, wear and then strong can also be applied.
- The application of granular materials, especially for abrasive materials, in powder and granular material processing systems that require gravity blanking or pneumatic conveying. It is suitable for powder and particle materials with gravity blanking and gas conveying. Processing system. is specially used for powder/cement material industry products. Installed in the hopper, silo, scre.
- Single Flanged(S) and Double Flanged(D) is for your reference.



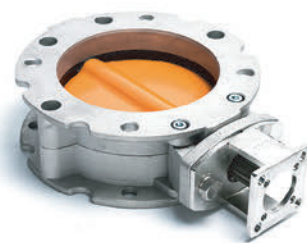
■ FLOWX-S:

1	Bracket	Cast Aluminium Alloy
2	Shaft Sleeve	Nylon
3	Body	Cast Aluminium Alloy
4	Disc	Wear Resistant Polymer Material
5	Sealing Ring	NBR
6	Shaft Sleeve	Nylon
7	Body	Cast aluminium alloy



■ FLOWX-A:

1	Bracket	Cast Aluminium Alloy
2	Shaft Sleeve	Nylon
3	Body	Cast Aluminium Alloy
4	Disc	SS304/316
5	300	Rubber
6	Sealing Ring	Nylon
7	Shaft Sleeve	Cast Aluminium Alloy



■ Main Specification

Nominal Size	Operated Type	Work Pressure	Work Temperature	Seal Material	Disc Material	Body Material	Medium	Application	Connection Standard
DN50 ↓ 350	Pneumatic Actuator	PN0.1	-15-85°C	EPDM	SS304	WCB	Dust	Rubbe	PN10/PN16
	Electric Actuator			NBR	SS316			Fodder	Papermaking
	Manual Hand Lever			VITON			Cement	Pharmacy	DIN16
	Worm Gear								JIS10K/16K

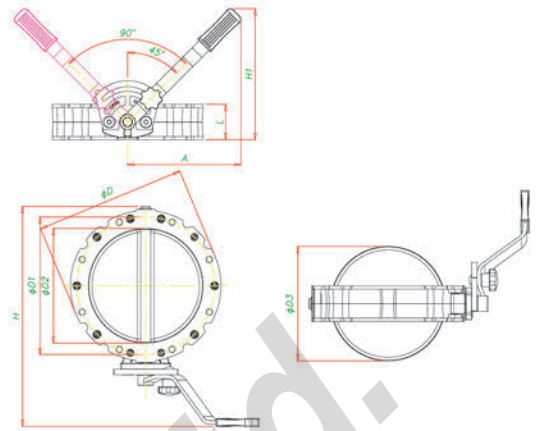
Disc Material Wear Resistant Polymer **Body Material** Aluminum Casting Alloy **Medium** Others Powder Granule Materials
Application Coal Chemical Industry, Petrochemical Industry

Visit our website to know more details: www.flowxcontrol.com

POWDER BUTTERFLY VALVE



Manual Handle Lever Operated

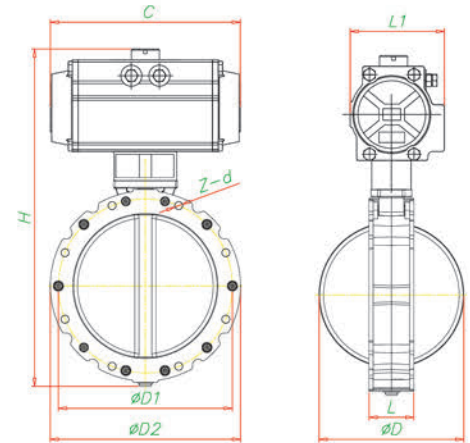


Dimensions

unit: mm

Size		D	D1	D2	D3	H	H1	L	A
DN	NPS								
100	4"	220	180	100	100	354	286	77	247
150	6"	228	200	150	150	380	286	77	247
200	8"	278	250	200	200	430	286	77	247
250	10"	328	300	250	250	480	286	77	247
300	12"	378	350	300	300	530	286	77	247
350	14"	440	400	350	350	537	413	85	370
400	16"	530	470	400	400	594	413	85	370

Pneumatic Actuator Operated

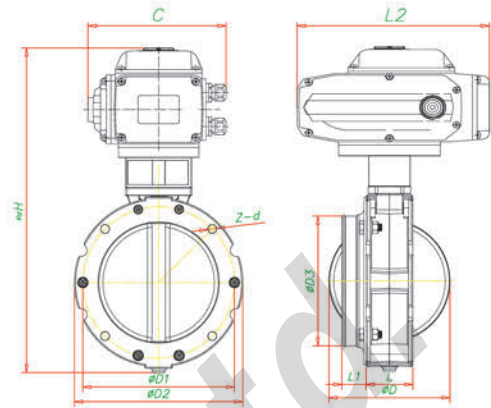


unit: mm

Dimensions

Size		D	D1	D2	Z-d	L	L1	C	H
DN	NPS								
100	4"	100	180	220	4-Φ14	77	94.5	208	373
150	6"	150	200	228	4-Φ14	77	109	245	417
200	8"	200	250	278	4-Φ14	77	123	266	474
250	10"	250	300	328	8-Φ14	77	137	328	573
300	12"	300	350	378	8-Φ14	77	148	340	633
350	14"	350	400	440	8-Φ14	85	168.5	401	721
400	16"	400	470	530	8-Φ14	85	168.5	430	779

Electric Actuator Operated



unit: mm

Dimensions

Size		D	D1	D2	D3	Z-d	L	L1	L2	C	H
DN	NPS										
100	4"	100	180	220	108	4-Φ14	77	40	211.5	154	424
150	6"	150	200	228	164	4-Φ14	77	40	259	186	484
200	8"	200	250	278	214	4-Φ14	77	40	259	186	535
250	10"	250	300	328	264	8-Φ14	77	40	259	186	604
300	12"	300	350	378	314	8-Φ14	77	40	259	186	652
350	14"	350	400	440	362	8-Φ14	85	40	259	186	715
400	16"	400	470	530	412	8-Φ14	85	40	283.5	193	787

Technical Material List

APPLICABLE STANDARDS & TECHNICAL NOTES:							
DESIGN CODE		EN593/BS5155/API609		END STANDARD		EN1092/PN10/ANSI 150#/JIS 10K	
INSPECTION&TEST		EN12266-1/API598		FACE TO FACE		EN558-1/API609	
NO.	PARTS NAEM	MATERIAL		NO.	PARTS NAEM	MATERIAL	
1	BODY	PVC/CPVC/FR-PP		4	O-RING	EPDM/FPM	
2	SEAT	EPDM/FPM		5	STEM	45/420/304/316	
3	DISC	PVC/CPVC/FR-PP					
TEST PRESSURE							
		SHELL			SEAL		
HYDROSTATIC		24/15 kg/cm ²			17.6/11 kg/cm ²		
AIR		—			—		
TITLE: POWDER BUTTERFLY VALVE							
SIZE		DN50-DN200		DWG NO.		FP1030I111G6	