

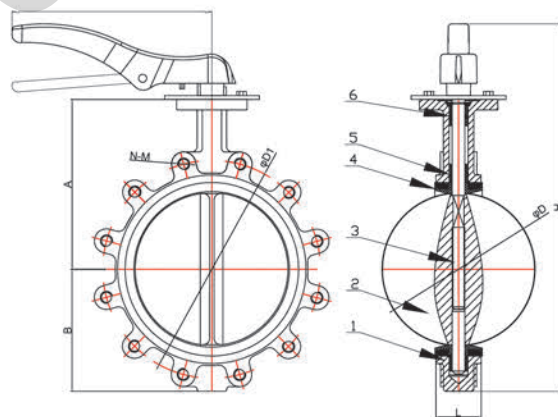
### Product Description

- LT type is also called single Plate butterfly valve, lug type butterfly valve
- It is a simple structure of the regulating valve. that can be used for low pressure pipeline medium switching means that the closing element (valve or butterfly plate) is a disk, and rotates around the valve shaft to open and close.
- A valve that can be used to control the flow of various types of fluids such as air, water, steam, various corrosive media, mud, oil products, liquid metals. In the pipeline mainly cut off and throttling effect. Butterfly valve opening and closing device is a disc-shaped butterfly plate, rotating around its own axis in the valve body, so as to achieve the purpose of opening and closing or adjusting.

### Main Specification

Nominal Size	Operated Type	Work Pressure	Work Temperature	Seal Material	Disc Material	Body Material	Medium	Application	Connection Standard
DN50 ↓ 1200	Pneumatic Actuator	PN25	-15-85°C	EPDM	SS304/SS316	Ductile Iron	Water	Water Treatment	PN10/PN16
	Electric Actuator		-25-150°C	PTFE	Nylon	SS304/SS316	Oil	Municiple Engineer	ANSI150
	Manual Hand Lever	-15-85°C	NBR	Ductile Iron	WCB	Gas	Pharmacy	DIN16	
	Worm Gear	-25-200°C	VITON	2205 2507 1.4529	Aluminium Alloy 2205/2507 1.4529	Powder FGDD	Auto Industry	JIS10K/16K	

### Manual Handle Lever Operated



unit: mm

### Dimensions

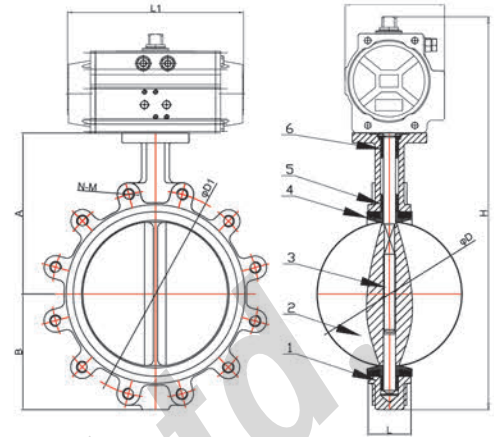
Size		CLASS150		JIS 10K		PN10		PN16		A	B	L	ΦD	H	C	WT (kg)
DN	NPS	D1	N-M	D1	N-M	D1	N-M	D1	N-M							
50	2"	120.6	4-5/8	125	4-M16	125	4-M16	125	4-M16	140	80	42	53	288	213	-
65	2½"	139.7	4-5/8	145	4-M16	145	4-M16	145	4-M16	150	89	44.7	65	307	213	-
80	3"	152.4	4-5/8	160	8-M16	160	8-M16	160	8-M16	158	95	46	79	321	213	-
100	4"	190.5	8-5/8	180	8-M16	180	8-M16	180	8-M16	175	114	52	104	378	277	-
125	5"	215.9	8-3/4	210	8-M16	210	8-M16	210	8-M16	190	127	54.4	123.3	406	277	-
150	6"	241.3	8-3/4	240	8-M20	240	8-M20	240	8-M20	211	139	55.8	155.1	439	277	-
200	8"	298.5	8-3/4	295	12-M20	295	12-M20	295	12-M20	235	175	60.6	202.5	-	-	-
250	10"	361.9	12-7/8	350	12-M20	350	12-M24	355	12-M24	265	203	65.5	250.5	-	-	-
300	12"	431.8	12-7/8	400	16-M20	400	16-M24	410	16-M24	305	242	76.9	301.5	-	-	-

Visit our website to know more details: [www.flowxcontrol.com](http://www.flowxcontrol.com)

## LT LUG TYPE BUTTERFLY VALVE

**FLOWX**<sup>®</sup>

### Pneumatic Actuator Operated

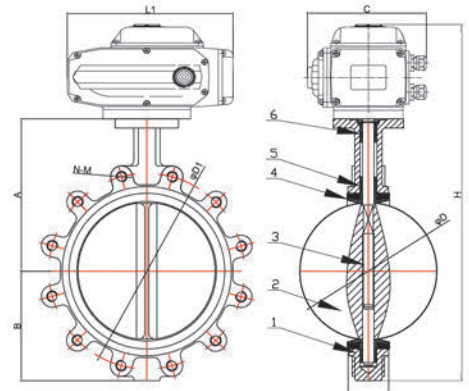


unit: mm

#### ■ Dimensions

Size		CLASS150		PN10		PN16		A	B	L	ΦD	H	C	L1	WT (kg)
DN	NPS	D1	N-M	D1	N-M	D1	N-M								
50	2"	120.6	4-5/8	125	4-M16	125	4-M16	140	80	42	53	309.5	71	139.5	-
65	2½"	139.7	4-5/8	145	4-M16	145	4-M16	150	89	44.7	65	339.5	80.5	162	-
80	3"	152.4	4-5/8	160	8-M16	160	8-M16	158	95	46	79	353.5	80.5	162	-
100	4"	190.5	8-5/8	180	8-M16	180	8-M16	175	114	52	104	406	95	207	-
125	5"	215.9	8-3/4	210	8-M16	210	8-M16	190	127	54.4	123.3	445.5	106	237.5	-
150	6"	241.3	8-3/4	240	8-M20	240	8-M20	211	139	55.8	155.1	491.5	123	271.5	-
200	8"	298.5	8-3/4	295	12-M20	295	12-M20	235	175	60.6	202.5	581.5	137	328	-
250	10"	361.9	12-7/8	350	12-M20	355	12-M24	265	203	65.5	250.5	651.5	164	366	-
300	12"	431.8	12-7/8	400	16-M20	410	16-M24	305	242	76.9	301.5	753	186.5	428	-

### Electric Actuator Operated



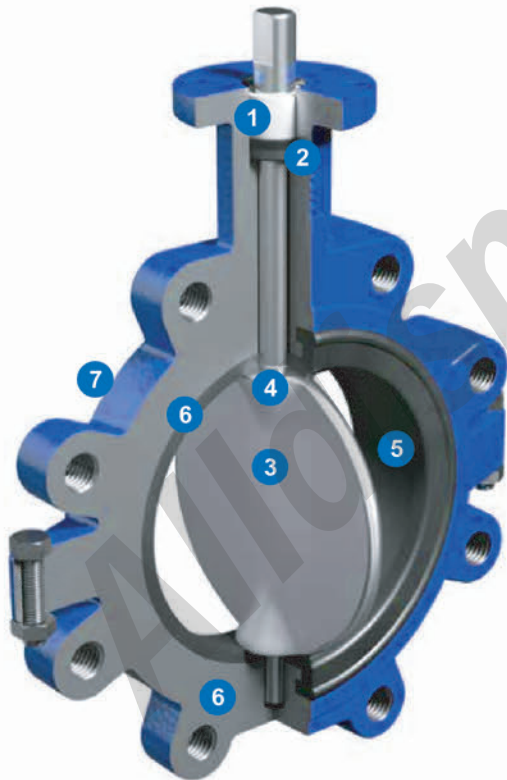
unit: mm

#### ■ Dimensions

Size		CLASS150		PN10		PN16		A	B	L	ΦD	H	C	L1	WT (kg)
DN	NPS	D1	N-M	D1	N-M	D1	N-M								
50	2"	120.6	4-5/8	125	4-M16	125	4-M16	140	80	42	53	357	140.5	165	-
65	2½"	139.7	4-5/8	145	4-M16	145	4-M16	150	89	44.7	65	376	140.5	165	-
80	3"	152.4	4-5/8	160	8-M16	160	8-M16	158	95	46	79	390	140.5	165	-
100	4"	190.5	8-5/8	180	8-M16	180	8-M16	175	114	52	104	476	154	211.5	-
125	5"	215.9	8-3/4	210	8-M16	210	8-M16	190	127	54.4	123.3	485	154	211.5	-
150	6"	241.3	8-3/4	240	8-M20	240	8-M20	211	139	55.8	155.1	553	186	259	-
200	8"	298.5	8-3/4	295	12-M20	295	12-M20	235	175	60.6	202.5	613	186	259	-
250	10"	361.9	12-7/8	350	12-M20	355	12-M24	265	203	65.5	250.5	671	186	259	-
300	12"	431.8	12-7/8	400	16-M20	410	16-M24	305	242	76.9	301.5	771	193	283.5	-

## Technical Material List

APPLICABLE STANDARDS & TECHNICAL NOTES:							
DESIGN CODE		API609		END STANDARD		ANSI 150#/JIS 10K	
INSPECTION&TEST		API598		FACE TO FACE		API609	
NO.	PARTS NAME	MATERIAL	QTY	NO.	PARTS NAME	MATERIAL	QTY
1	BODY	DI/WCB/CF8/CF8M	1	4	SEAT	NBR/EPDM/PTFE/VITON	1
2	DISC	WCB/DI+NYLON/CF8/CF8M	1	5	BUSHING	PTFE	4
3	SHAFT	SS410	1	6	O-RING	NBR	1
TEST PRESSURE							
		SHELL		SEAL			
HYDROSTATIC		24/15 kg/cm <sup>2</sup>		17.6/11 kg/cm <sup>2</sup>			
AIR		—		—			
TITLE: AN EAR BUTTERFLY VALVE							
SIZE		DN50-DN300		DWG NO.		FT0114000002-1	



**1 – STEM BUSHING:** Non-corrosive, heavy duty acetal bushing absorbs actuator side thrust.

**2 – STEM SEAL:** Double “U” cup seal design is self-adjusting and gives positive sealing in both directions.

**3 – DISC/STEM:** One piece design. The disc edge is spherically machined and hand polished to produce a bubble tight shutoff, minimum torque, and longer seat life. For erosion and abrasion resistance, the one piece disc/stem is available encased in either EPDM or BUNA-N.

**4 – PRIMARY AND SECONDARY SEALS:** These seals prevent line media from coming in contact with the stem or body. Primary seal is achieved by an interference fit of the molded seat flat with the disc hub. Secondary seal is created because the stem diameter is greater than the diameter of the seat stem hole.

**5 – SEAT:** Flowx’s tongue and groove seat design provides complete isolation of flowing media from the body. The seat also features a molded o-ring which eliminates the need of flange gaskets.

**6 – BODY:** Two piece wafer or lug style allows for ease of assembly and maintenance.

**7 – BODY COATINGS:** For excellent corrosion resistance, Nylon 11 coating is standard for 1”- 8” valves and available on larger sizes upon request. Polyester coating is standard for 10”-20” bodies.