



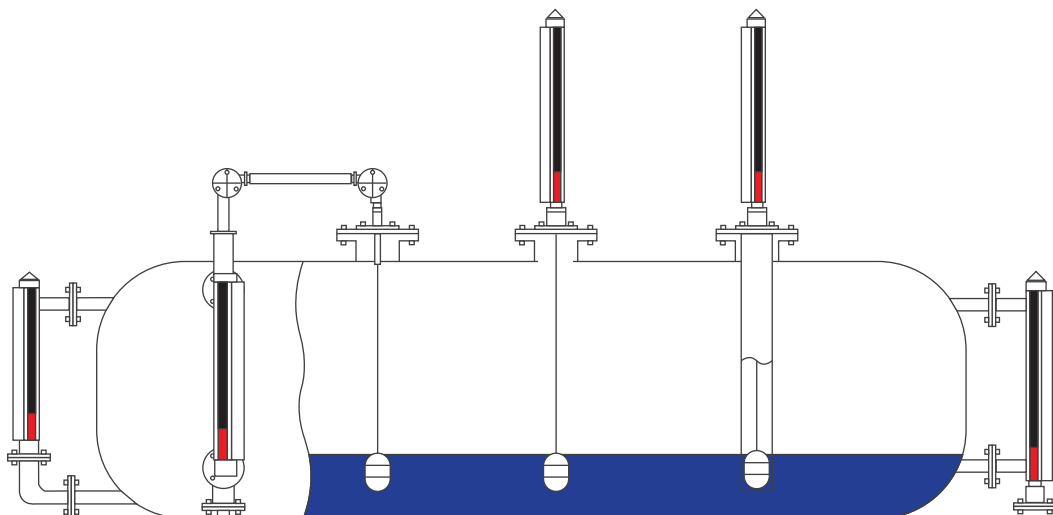
Magnetic Flap Level Gauge & Transmitter

The magnetic flap level gauge uses the float as the measuring element, and the magnetic steel drives the turning column display without energy. It is suitable for various environments from low temperature to high temperature, vacuum to high pressure. It is an ideal liquid level measurement product for petrochemical and other industrial sectors. The magnetic flap level gauge is equipped with upper and lower limit switch outputs to realize remote alarm and limit control.

The magnetic flap level gauge is equipped with a transmitter, which can realize the remote indication, detection and control of the liquid level. According to the different installation positions of the container, there are two types of side mounting and top mounting.

Feature

- Simple design, precise manufacturing, low maintenance rate and high cost performance.
- Various installation forms, suitable for various occasions.
- The indicating mechanism is completely isolated from the measuring medium, so the sealing performance is good and the reliability is high.
- It can measure corrosive, flammable, toxic, agitated and polluted liquids with high safety.
- The maximum process temperature is 550°C, and the maximum process pressure is 16MPa.
- It integrates on-site indication, remote transmission and alarm switch, with complete functions.



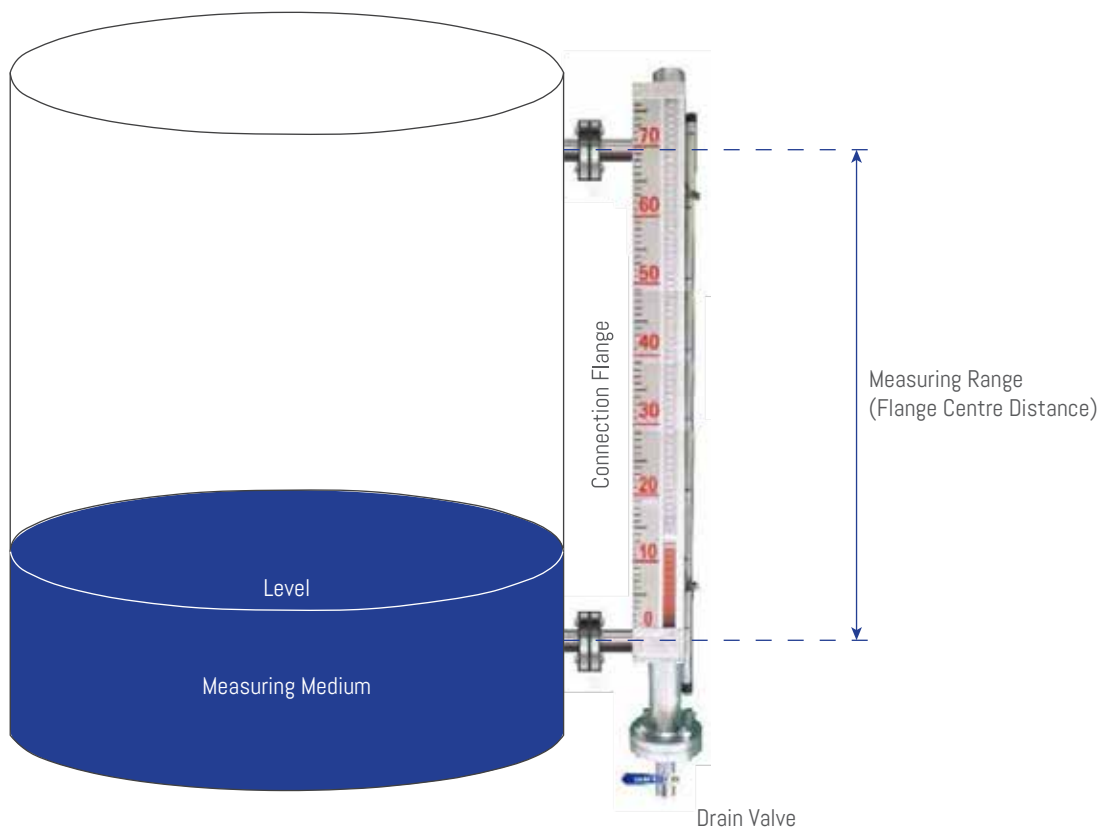
Installation Methods

Main Performances Parameters

Chamber Material	SS304, SS316, SS304+PTFE, SS316+PTFE, PP, CPVC, titanium and other materials.
Float Material	SS304, SS316, SS304+PTFE, SS316+PTFE, PP, CPVC, titanium and other materials.
Measuring Range	300~15000mm
Measurement Accuracy	±5mm or ±10mm
Working Pressure	1.0, 1.6, 2.5, 4.0, 6.4, 10, 16.0MPa
Specific Gravity of Medium	≥0.45g/cm ³
Medium Density Difference	≥0.15g/cm ³ (measurement interface)
Working Temperature	≤550 C
Medium Viscosity	≤0.02Pa.S
Output Signal	Two-wire system 4~ 20mADC or HART Protocol or Four-wire system 485 Digital Output
Explosion-proof Grade	ExdII CT6
Protection Level	IP66
Connection Flange Size	DN20 or DN25 (HG20592~20635—97 flange standard) If other flanges are used, please specify when ordering.
Insulation Sleeve Connection Size	1/2" pipe thread
Steam Tracing Pressure	≤1.6MPa
Supporting Accessories	Magnetic alarm switch, Remote liquid level transmitter, Magnetostrictive liquid level transmitter

Note:

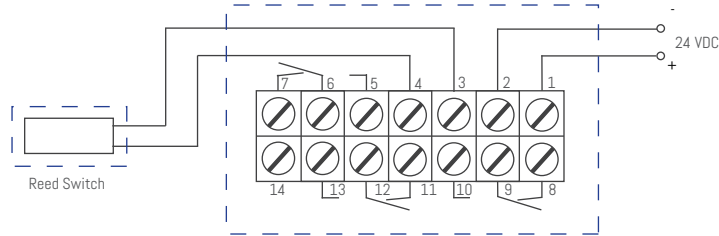
1. When the side-mounted type is made of stainless steel, the measurement range is equal to the installation distance. When the top-mounted type is made of stainless steel, the measurement range = installation distance L-200mm.
2. Installation distance (measurement range) size: 300-6000mm (More than 6000mm can be customized).



System Composition and Wiring

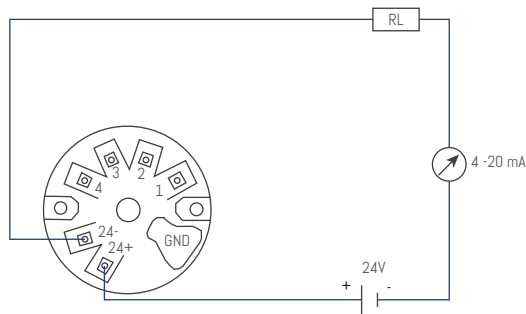
1. Up and down switch output

It is composed of a reed switch and a converter with a holding function. The reed switch and the converter are installed in the field and the control room respectively. The converter provides three pairs of contact switches (AC220V 5A).

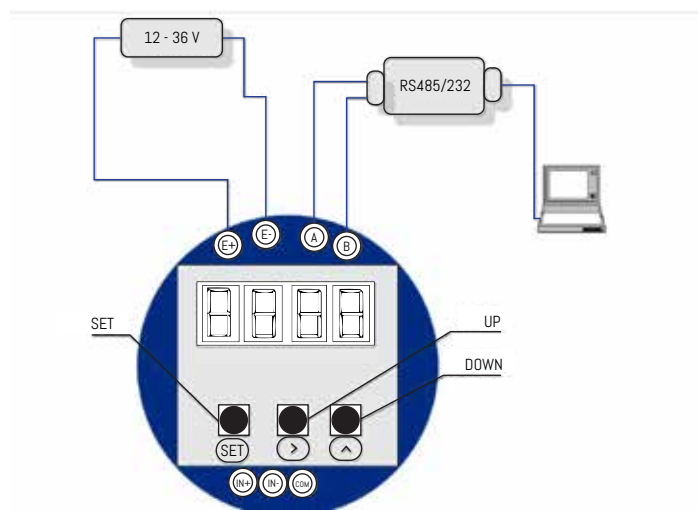


2. Signal Output and Communication

4-20mA two-wire or four-wire 485 signal output ; composed of two parts: measuring unit and transmitter



4- 20 mA Two-Wire



RS485 Four-Wire

Model Select

MLG	X	X	X	X	X	X	X	XXX
Structure	Code							
Side Mounted	1							
Top Mounted	2							
Connectivity	3							
Dual Chamber	4							
Wetted Material	Code							
SS304	1							
SS316	2							
SS304 with PTFE Liner	3							
SS316 with PTFE Liner	4							
PP/UPVC (Apply for pressure <= 0.6 MPa)	5							
Others	6							
Display	Code							
Turn Column Panel Indicator	A							
Vacuum Panel Indicator	B							
Plastic Panel Indicator	C							
LED Panel Indicator	D							
Others	E							
Heating	Code							
No Heating Structure	A							
Steam Jacket	B							
Electric Heating	D							
Vacuum Jacket	Z							
Control Function	Code							
Basic	1							
With Upper and Lower Limit Switch	2							
Current Output (4-20 mA, 24 VDC)	3							
RS485 (24 VDC)	4							
4-20 mA + HART (4-20 mA, 24 VDC)	5							
With Magnetostrictive Transmitter	6							
Ex D	Code							
No	P							
Intrinsically Safe	B							
Flame Proof	G							
Installation	Code							
Flange DN25	1							
Based on Customer needs	2							
Pressure	Code							
Installation distance (Side-Mounted) or Installation Depth (Top-Mounted Type)	L =							
Normal Pressure or XX Mpa	C or Y							
Medium Density g/cm ³	ρ =							

Example Ordering Code: MLG-11BA3G1-2000 C / 1.0