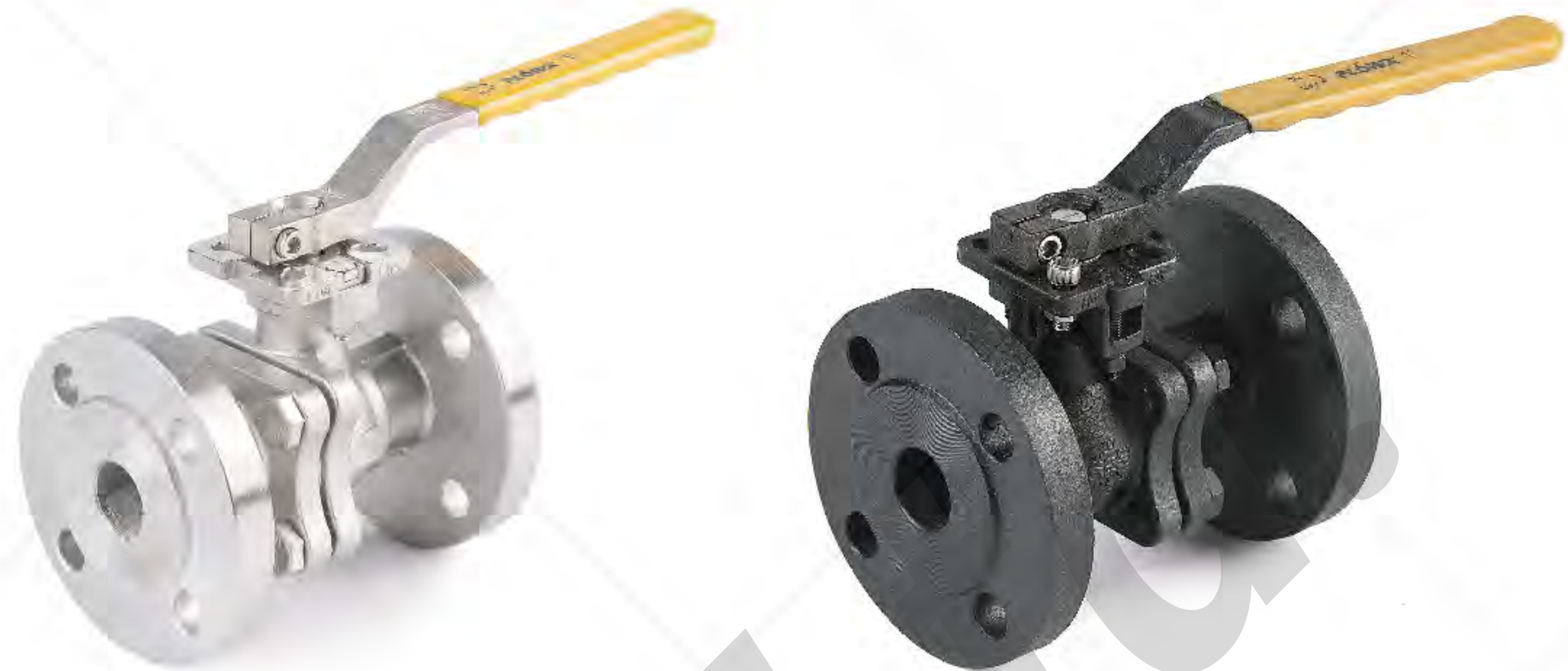


GB Flange Ball Valves

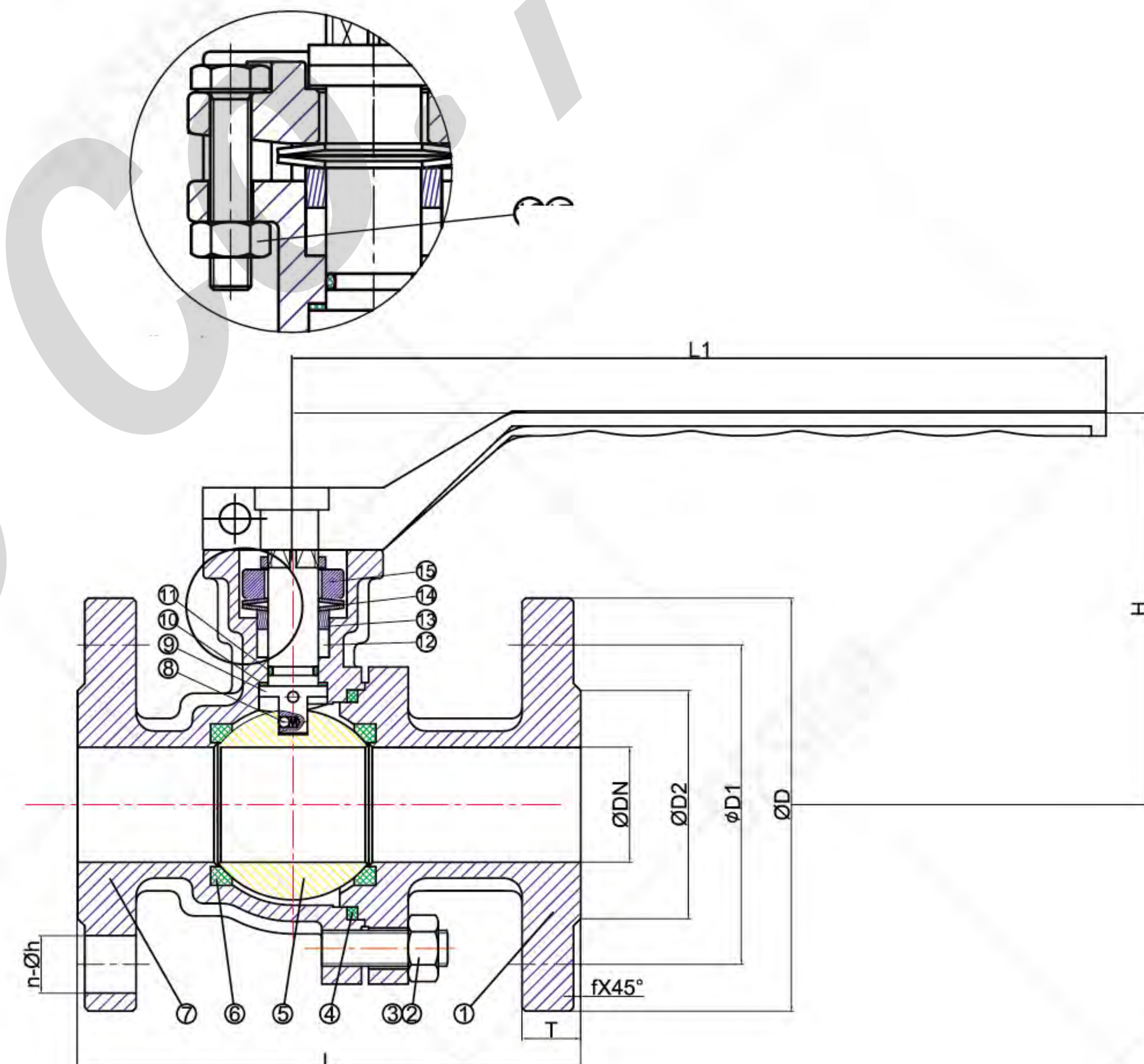
Features

- > Full port stainless or carbon steel flanged ball valve
- > 1/2" through 8" with PN16 GB flanges
- > Antistatic device
- > Blowout-proof stem
- > Pressure rating PN16
- > Temperature rating varies from with o-ring material
- > API 607 fire safe tested and certified
- > Belleville washers and adjustable packing for high cycle applications
- > Inspection and testing to current GB/13927



Material List

NO.	PARTS NAME	MATERIAL	QTY
1	BONNET	DI/WCB/CF8/CF8M	1
2	DOUBLE END STUD	A 193 B8	
3	NUT	A 194 8	
4	BODY GASKET	PTFE	1
5	BALL	SS304/SS316	1
6	SEAT	TFM1600	1
7	BODY	DI/WCB/CF8/CF8M	1
8	ANTISTATIC DEVICE	SS	1
9	STEM	SS304/SS316	1
10	THRUST WASHER	RTFE	1
11	O-RING	VITON	1
12	PACKING	TFM1600	3
13	PACKING GLAND	SS	1
14	DISC SPRING	SS	2
15	PACKING GLAND	WCB/SS	1
16	SCREW	A 193 B8	2
17	NUT	A 194 8	2



Dimensional Data

Size		D	D1	D2	L	n-Φh	T	f	H	L2	WT (kg)
DN	In.										
15	1/2	95	65	45	130	4-Φ14	16	2	77	165	2.5
20	3/4	105	75	58	130	4-Φ14	18	2	82	165	3.2
25	1	115	85	68	140	4-Φ14	18	2	88.5	196	4.1
32	1 1/4	140	100	78	165	4-Φ18	18	2	101	196	5.8
40	1 1/2	150	110	88	165	4-Φ18	18	2	115.5	232	7.6
50	2	165	125	102	203	4-Φ18	20	2	122.5	232	9.7
65	2 1/2	185	145	122	222	8(4)-Φ18	18	2	184	300	14.5
80	3	200	160	138	241	8-Φ18	20	2	192	300	17.1
100	4	220	180	158	305	8-Φ18	22	2	227	400	23.4

Valve Operator

Lever operation

- Pneumatic or electric actuators available.
- Limit switches, positioners, solenoid valves and many other customer options available.
- Contact FLOWX for appropriate choice and sizing of valve actuators.

ALL VALVES ARE 100% ELECTRONICALLY TESTED AT 80 PSI IN BOTH THE OPEN AND CLOSED POSITIONS

GB Flange Ball Valves

Features of Actuators

- > Heavy duty Rack and pinion design
- > Spring return or double acting
- > Open and closed adjustment stops
- > True NAMUR accessory and ISO mounting
- > Visual indicator, Top Mount indicator
- > High temperature and corrosion resistant models available
- > Solenoids, limit switches, positioners and other accessories are available

- > Fully adjustable limit switches allow for fine control of on-off positions
- > All electric actuators are available for modulating (4-20mA control) or on-off service
- > Motor has thermal overload protection
- > Running Time: 9s/13s/15s/30s/50s/100s/150s
- > Heavy-duty gear train motor with permanent lubrication
- > ISO bottom mounting for direct mount actuation with true ISO valves on most models



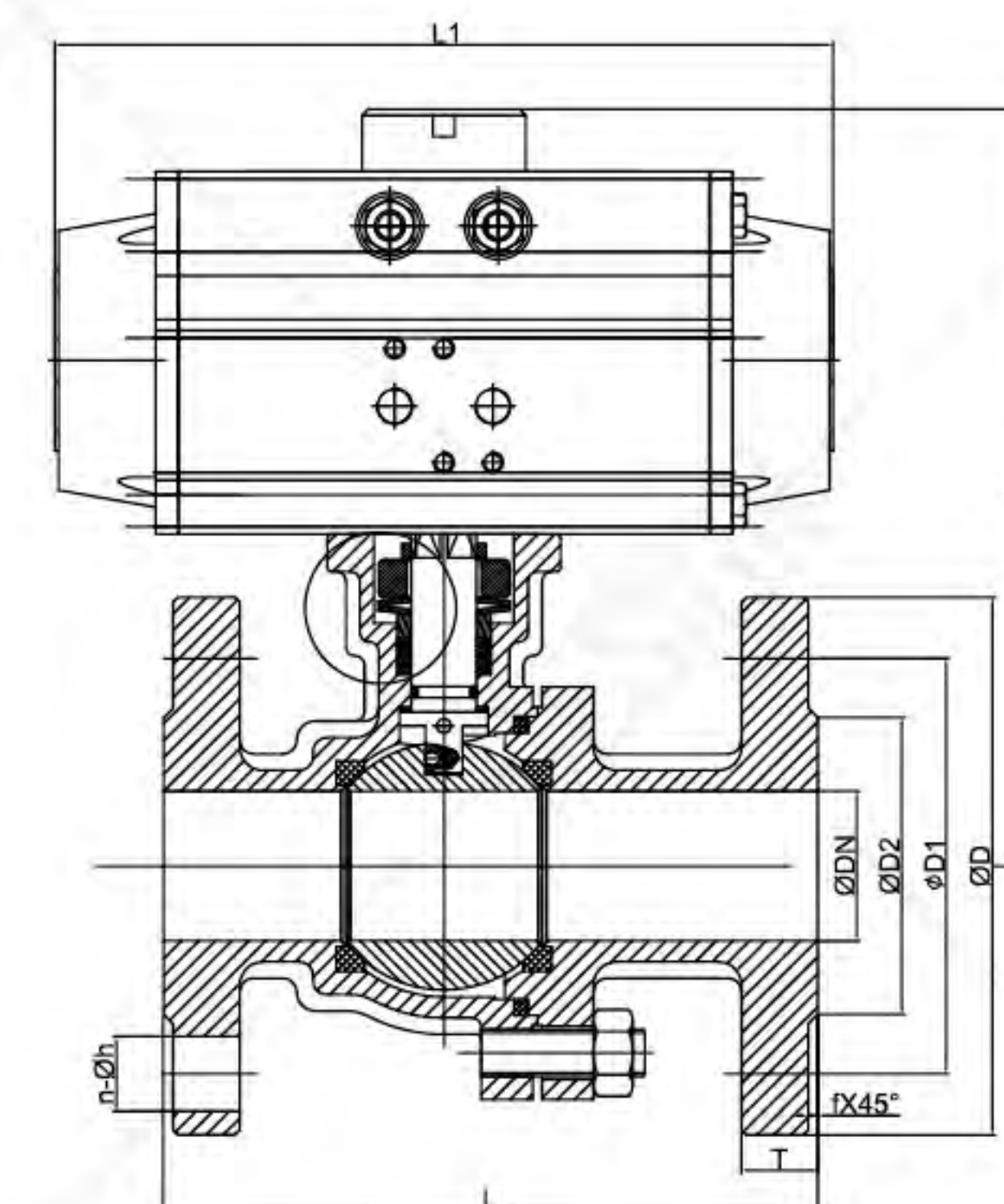
Pneumatically Operated



Electrically Operated

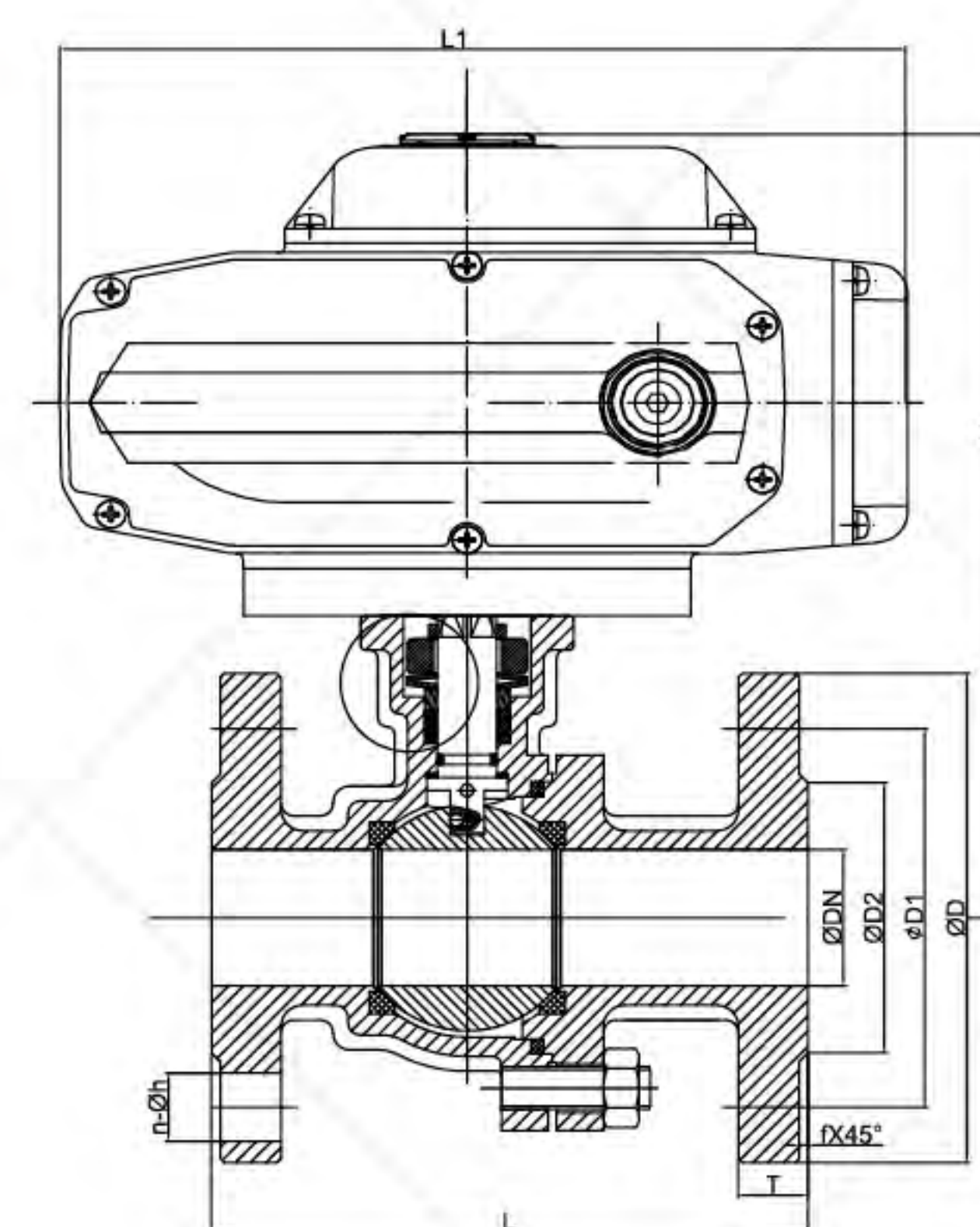
Dimensional Data

Size		D	D1	D2	L	n-Φh	T	f	SR			DA		
DN	In.								H	L1	WT (kg)	H	L1	WT (kg)
15	1/2	95	65	45	130	4-Φ14	16	2	151.5	162	4.3	140.5	139.5	3.5
20	3/4	105	75	58	130	4-Φ14	18	2	172	207	6.3	155.5	162	4.7
25	1	115	85	68	140	4-Φ14	18	2	180	207	7.2	163.5	162	5.6
32	1 1/4	140	100	78	165	4-Φ18	18	2	188	207	8.8	171.5	162	7.2
40	1 1/2	150	110	88	165	4-Φ18	18	2	209.5	237.5	11.7	198	207	9.9
50	2	165	125	102	203	4-Φ18	20	2	229.5	271.5	16.1	216.5	237.5	12.9
65	2 1/2	185	145	122	222	8(4)-Φ18	18	2	285.5	328	23.3	255.5	271.5	19.3
80	3	200	160	138	241	8-Φ18	20	2	307.5	366	28.9	295.5	328	24.9
100	4	220	180	158	305	8-Φ18	22	2	353	428	43.2	330.5	366	33.1
125	5	250	210	188	356	8-Φ18	24	2	401	430	59.9	385	428	52.9



Dimensional Data

Size		D	D1	D2	L	n-Φh	T	f	H	L1	WT (kg)
DN	In.										
15	1/2	95	65	45	130	4-Φ14	16	2	186.5	165	4.9
20	3/4	105	75	58	130	4-Φ14	18	2	191.5	165	5.6
25	1	115	85	68	140	4-Φ14	18	2	196	165	6.5
32	1 1/4	140	100	78	165	4-Φ18	18	2	208.5	165	8.1
40	1 1/2	150	110	88	165	4-Φ18	18	2	246.5	211.5	11.7
50	2	165	125	102	203	4-Φ18	20	2	253.5	211.5	13.7
65	2 1/2	185	145	122	222	8(4)-Φ18	18	2	317	259	21.5
80	3	200	160	138	241	8-Φ18	20	2	325	259	24.1
100	4	220	180	158	305	8-Φ18	22	2	338	259	30.4
125	5	250	210	188	356	8-Φ18	24	2	376	259	45.5



ALL VALVES ARE 100% ELECTRONICALLY TESTED AT 80 PSI IN BOTH THE OPEN AND CLOSED POSITIONS