

3-Piece Clamp Ball Valves

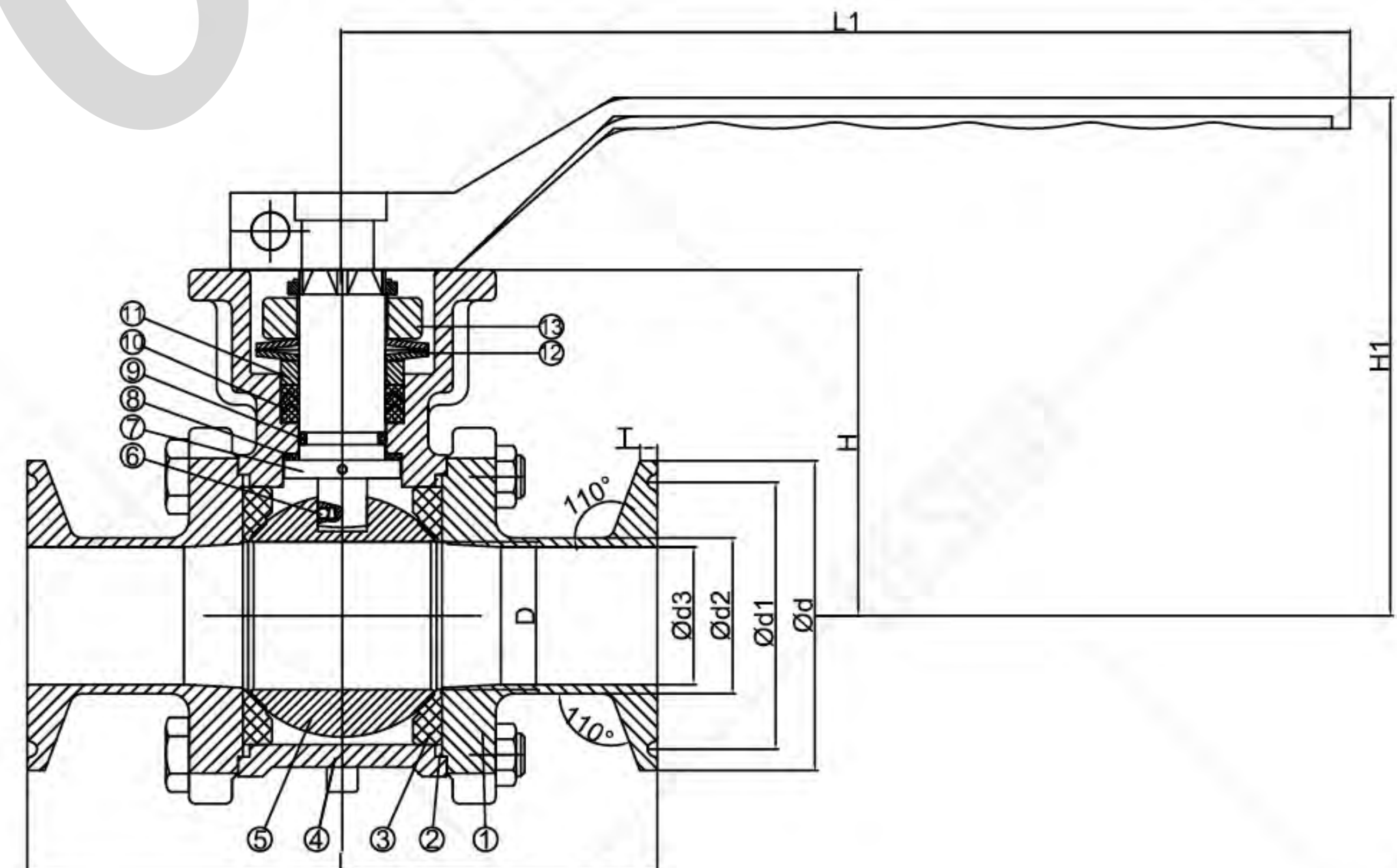
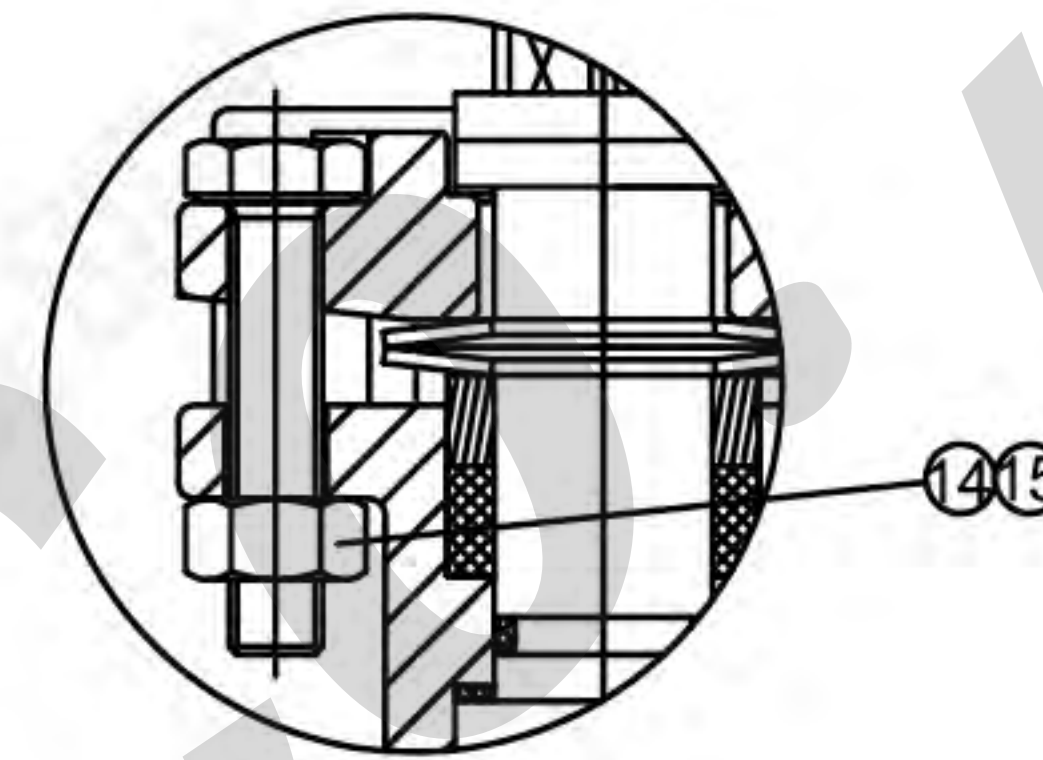
■ Features

- > Full port stainless steel sanitary ball valve
- > 1/2" through 4" clamp end
- > 1000 Wog working pressure
- > Temperature rating varies from with o-ring material
- > Antistatic device
- > Blowout-proof stem
- > Swing out design for easy maintenance
- > Cavity filler TFE seats and seals to reduce risk of product entrapment
- > Ideal for food, beverage and pharmaceutical applications
- > ISO mounting pad for direct mount automation



■ Material List

NO.	PARTS NAME	MATERIAL	QTY
1	BONNET	CF8/CF8M	2
2	SEAT	PTFE	2
3	SEAT	TFM1600	2
4	BODY	CF8/CF8M	1
5	BALL	SS304/SS316	1
6	ESD	SS	1
7	STEM	SS304/SS316	1
8	THRUST WASHER	PTFE	1
9	O-RING	VITON	1
10	PACKING	TFM1600	3
11	PACKING RING	SS	1
12	DISC SPRING	SS	2
13	PACKING GLAND	SS	1
14	NUT	A 194 8	2
15	BOLT	A 193 B8	2



■ Dimensional Data

Size		D	d	d1	d2	d3	L	H	T	L1	H1
DN	In.										
15	1/2	15	25.4	18	12.7	9.7	89	44.5	2.85	165	72.5
20	3/4	20	34	27	19	16	101.6	46	2.85	165	74
25	1	25	50.5	43.5	25.4	22.4	114.3	56.4	2.85	196	86.4
32	1 1/4	32	50.5	43.5	32	29	120	70.3	2.85	196	100.3
40	1 1/2	38	50.5	43.5	38	35	139.7	79	2.85	232	116.5
50	2	50	64	56.5	51	48	158.4	86.7	2.85	232	124.2
65	2 1/2	64	77.5	70.5	63.5	59.5	171.5	114	2.85	300	184
80	3	72	91	83.5	76.6	72	197	121	2.85	300	191
100	4	98	119	110	102.6	98	241	140	2.85	400	232

Valve Operator

Lever operation

- Pneumatic or electric actuators available.
- Limit switches, positioners, solenoid valves and many other customer options available.
- Contact FLOWX for appropriate choice and sizing of valve actuators.

ALL VALVES ARE 100% ELECTRONICALLY TESTED AT 80 PSI IN BOTH THE OPEN AND CLOSED POSITIONS

FLOWX VALVE • WORLD-CLASS VALVE SUPPLIERS • T (86) 021 3497 7873 • F (86) 021 5415 0271 • Email:sales@flowxvalve.com

3-Piece Clamp Ball Valves

■ Features of Actuators

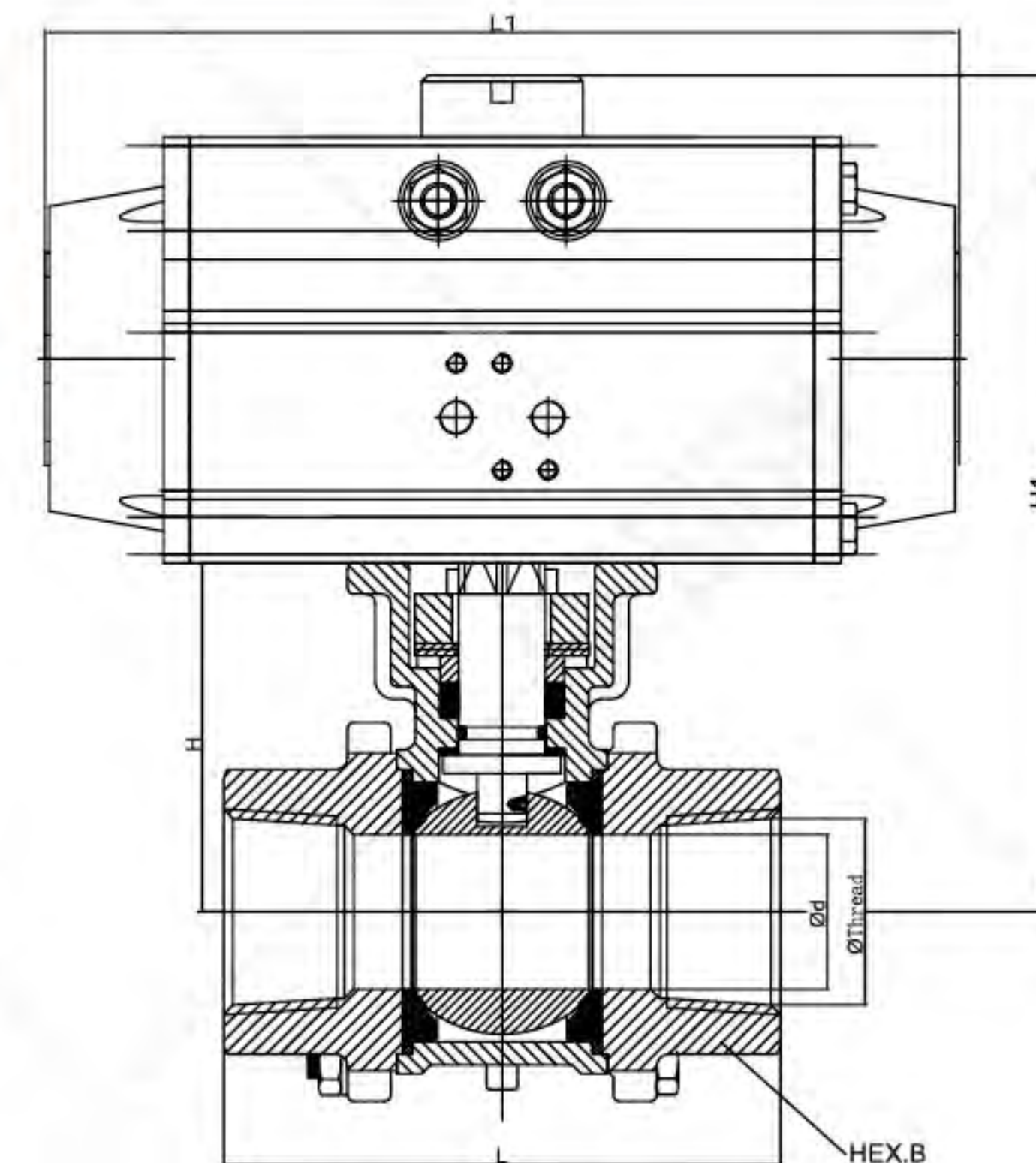
- > Heavy duty Rack and pinion design
- > Spring return or double acting
- > Open and closed adjustment stops
- > True NAMUR accessory and ISO mounting
- > Visual indicator, Top Mount indicator
- > High temperature and corrosion resistant models available
- > Solenoids, limit switches, positioners and other accessories are available

- > Fully adjustable limit switches allow for fine control of on-off positions
- > All electric actuators are available for modulating (4-20mA control) or on-off service
- > Motor has thermal overload protection
- > Running Time: 9s/13s/15s/30s/50s/100s/150s
- > Heavy-duty gear train motor with permanent lubrication
- > ISO bottom mounting for direct mount actuation with true ISO valves on most models



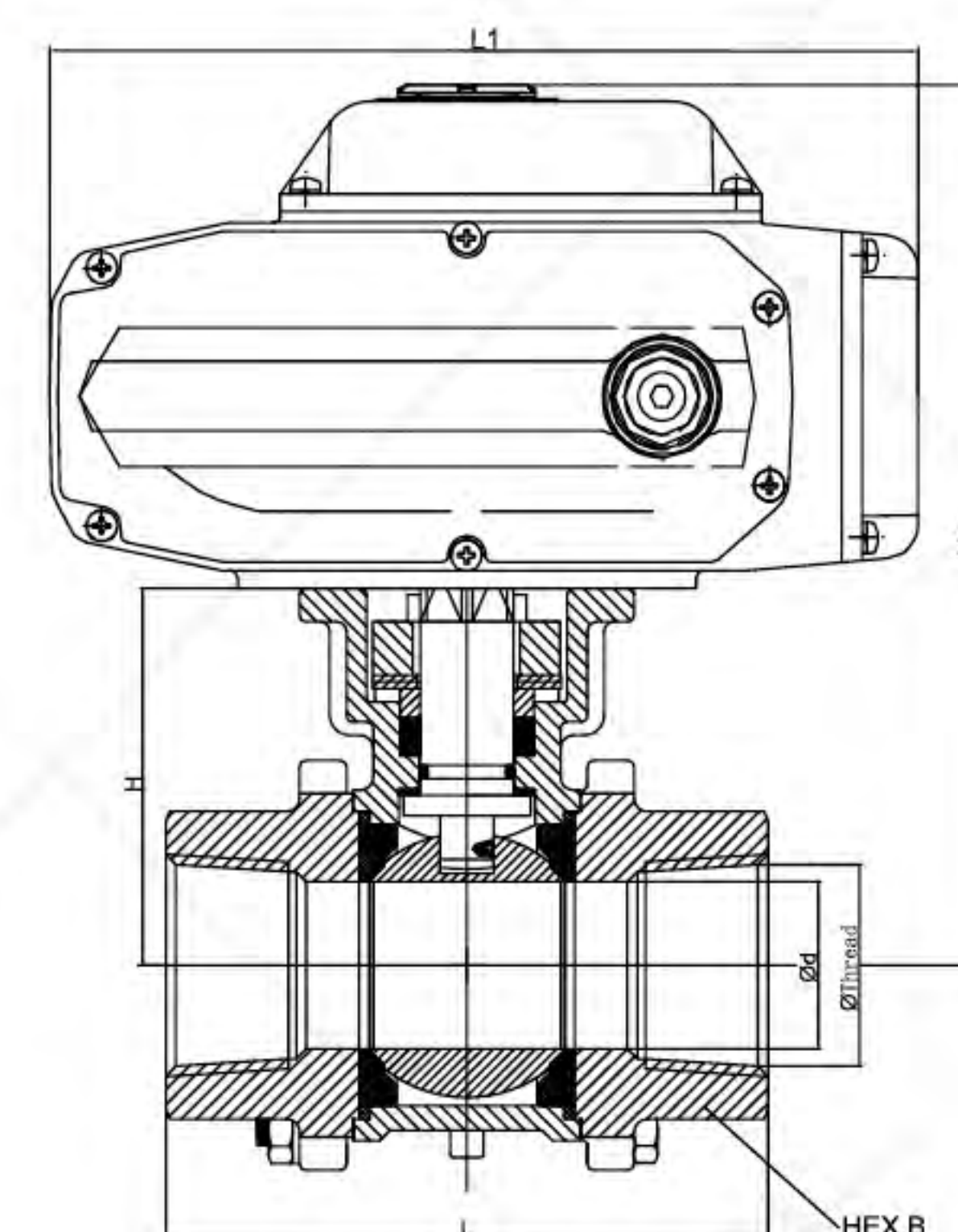
■ Dimensional Data

Size		D	d	d1	d2	d3	L	H	T	SR		DA	
DN	In.									H1	L1	H1	L1
15	1/2	15	25.4	18	12.7	9.7	89	44.5	2.85	133	162	123	139.5
20	3/4	20	34	27	19	16	101.6	46	2.85	151	207	134.5	162
25	1	25	50.5	43.5	25.4	22.4	114.3	56.4	2.85	161.4	207	144.9	162
32	1 1/4	32	50.5	43.5	32	29	120	70.3	2.85	176.3	207	158.8	162
40	1 1/2	38	50.5	43.5	38	35	139.7	79	2.85	195.5	237.5	148	207
50	2	50	64	56.5	51	48	158.4	86.7	2.85	216.5	271.5	203.2	237.5
65	2 1/2	64	77.5	70.5	63.5	59.5	171.5	114	2.85	263.5	328	243.5	271.5
80	3	72	91	83.5	76.6	72	197	121	2.85	292.5	366	250.5	328
100	4	98	119	110	102.6	98	241	140	2.85	334	428	311.5	366



■ Dimensional Data

Size		D	d	d1	d2	d3	L	H	T	L1	H1
DN	In.										
15	1/2	15	25.4	18	12.7	9.7	89	44.5	2.85	165	182
20	3/4	20	34	27	19	16	101.6	46	2.85	165	183.5
25	1	25	50.5	43.5	25.4	22.4	114.3	56.4	2.85	165	193.9
32	1 1/4	32	50.5	43.5	32	29	120	70.3	2.85	165	207.8
40	1 1/2	38	50.5	43.5	38	35	139.7	79	2.85	165	216.5
50	2	50	64	56.5	51	48	158.4	86.7	2.85	211.5	255.2
65	2 1/2	64	77.5	70.5	63.5	59.5	171.5	114	2.85	259	317
80	3	72	91	83.5	76.6	72	197	121	2.85	259	324
100	4	98	119	110	102.6	98	241	140	2.85	259	343



ALL VALVES ARE 100% ELECTRONICALLY TESTED AT 80 PSI IN BOTH THE OPEN AND CLOSED POSITIONS