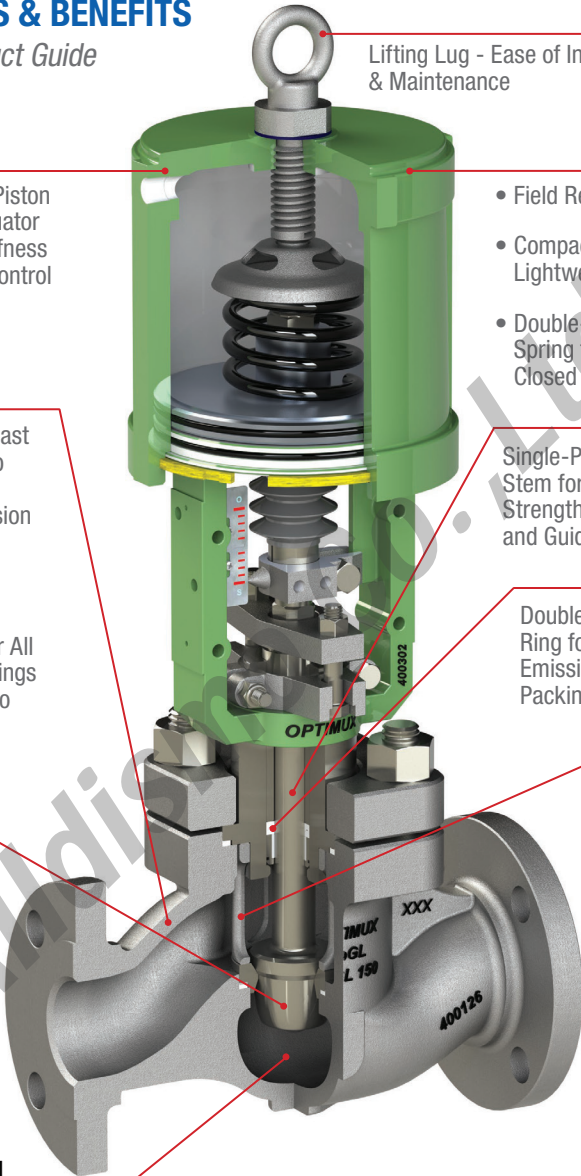


FEATURES & BENEFITS

Quick Product Guide



Lifting Lug - Ease of Installation & Maintenance

High Thrust Piston Cylinder Actuator Provides Stiffness for Precise Control

- Field Reversible
- Compact, Versatile, Lightweight Design
- Double-Acting with Spring for Fail Open/ Closed Condition

• Investment Cast Body for Zero Porosity and Better Corrosion Resistance

• ANSI CL600 Body Wall Thickness for All Pressure Ratings from CL150 to CL600

Single-Piece Plug & Stem for Superior Strength, Stability, and Guiding

Double Packing/Wiper Ring for Reduced Emissions and Longer Packing Life

• Standard Class IV, V, or VI Shutoff

• 8+ Trim Sizes to Optimize for Customer's Process Control Requirements

• Available Cost-Effective Cavitation Control and Noise Abatement Trim



• Unbalanced Design Eliminates Plug Seals

• Eliminates Potential for Trim Failure Due to Impingement of Debris Between Plug and Cage

Optimized Flow Path and Broad Gallery for Superior Process Control, Higher Capacity, Less Wear & Process Fouling

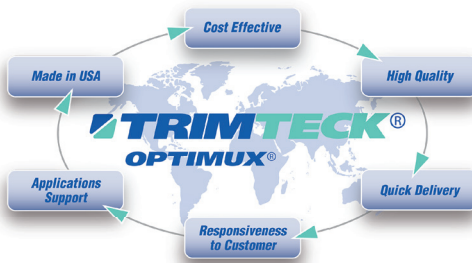


SCAN CODE TO LEARN MORE!

OpGL Globe Control Valve Specifications	
Type	Globe Valve, Sliding Stem
Sizes (NPS)	½" to 36"
Body Styles	Globe, Angle, 3-Way, Y-Pattern, Vacuum Jacketed, Steam Jacketed, Fabricated (XT)
Body Materials	Carbon Steel, Stainless Steel, Chrome Moly, Alloy, Others
Pressure Classes (ASME/ANSI)	CL150 to CL4500
Shutoff Classes (ANSI)	Class IV, V, VI
End Connections	RF Integral Flange, NPT, RTJ, Buttweld, Socketweld, Grayloc, SAE AS5202, Others
Service	General, Special (Low Flow, Corrosive, Erosive, Dirty, Zero Fugitive Emissions), Severe (Cavitation, Noise, Flashing)
Operating Temperature	Standard, High, Cryogenic
Flow Characteristics	Equal Percent, Linear, Bi-Linear, Quick Open, Custom
Industries	Power, Aerospace & Defense, Oil & Gas, Chemical/Petrochemical, Industrial Gases, Refining, Food & Beverage, Metals & Mining, Pulp & Paper
Certifications/Norms	ASME, PED, ANSI/ISA, CRN, NACE
Positioners	<div style="display: flex; justify-content: space-around; align-items: center;"> <div style="text-align: center;">  <p>HPP5500™ Intrinsic Safe Digital Positioner</p> </div> <div style="text-align: center;">  <p>HPP4000™ Explosion Proof Digital Positioner</p> </div> </div>



Trimteck, LLC
Engineering & Manufacturing
12461 NW 44th Street
Coral Springs, Florida 33065 USA
+1-954-753-5545



Products in compliance with:

ASME B16.34
ANSI/ISA-75.05.01-2019