



Full Stainless Steel

KGB4D

Mechanical pressure gauges With flanged diaphragm seals

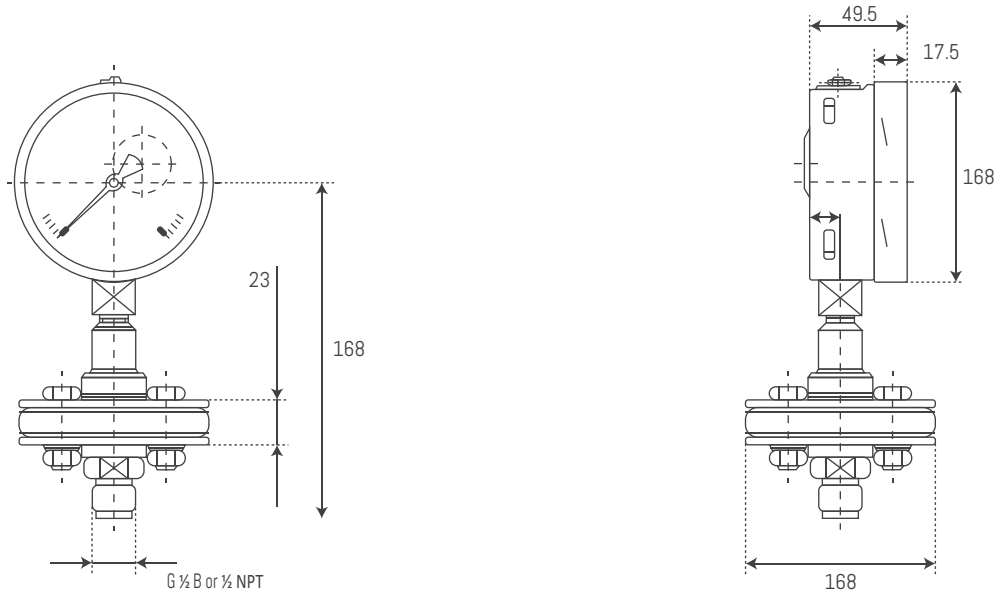
- For aggressive, hot, corrosive, environmentally hazardous or toxic media
- Chemical and petrochemical industries
- Process industry
- Process connection with thread for direct threaded connection

CE IP65

Diaphragm seal systems are used to protect the pressure measuring instrument from aggressive, adhesive, crystallising, corrosive, highly viscous, environmentally hazardous or toxic media. The diaphragm made of stainless steel or PTFE provides for the separation from the medium. The pressure is transmitted to the measuring instrument via the system fill fluid which is inside the Diaphragm seal system.

Technical Data

Housing		Wetted parts	
Nominal size	100 mm	Process connection material	Stainless steel 1.4404 / AISI 316L
Case material	Stainless steel 1.4301 / AISI 304	Bourdon tube	Stainless steel 1.4404 / AISI 316L
Type of housing	Crimped bezel ring	Performance	
Bezel ring material	Stainless steel 1.4301 / AISI 304	Accuracy according to EN 837-1	Class 1.0
Window material	Polycarbonate	Min. measuring range	-1 ... 1 bar
Window gasket	Elastomer	Max. measuring range	-1 ... 400 bar
Protection rating (EN 60529)	IP65	Type of pressure	Gauge Compound
Dial	White, aluminium	Pressure limitation	Steady: 100 % of full scale value Fluctuating: 90 % of full scale value Short time: 130 % of full scale
Pointer	Black, aluminium	Temperature coefficient at +20°C	± 0.4 % FS/10K
Movement material	Stainless steel 1.4404 / AISI 316L		
Temperature			
Ambient temperature	-40°C ... +60°C		
Media temperature	-20°C ... +200°C (not filled) -20°C ... +100°C (Glycerine filled)		
Weight			
Gauge	2100 g unfilled		



Ordering Reference

Order key

Product KGB Mechanical pressure gauges	KGB	4D	-	X	X	XXX
Dimension Nominal size 100 mm	KGB	4D				
Case Type M - Bottom mount Type B - Back mount					M B	
Process connection EN 837-1 G 1/2 B ANSI/B1.20.1 1/2 NPT						E A
Measuring range bar/psi (ANSI) kg/cm ² (EN)						KXX FXX

⁽¹⁾ Available standard pressure ranges, see table in section pressure ranges.

Pressure ranges

psi	bar	kg/cm ²	Code
-30" Hg ... 0	- 1 ... 0	- 1 ... 0	01
-30" Hg ... 9	- 1 ... 0.6	- 1 ... 0.6	02
-30" Hg ... 30	- 1 ... 1.5	- 1 ... 1.5	03
-30" Hg ... 60	- 1 ... 3	- 1 ... 3	04
-30" Hg ... 100	- 1 ... 5	- 1 ... 5	05
-30" Hg ... 160	- 1 ... 9	- 1 ... 9	06
-30" Hg ... 200	- 1 ... 15	- 1 ... 15	07
-30" Hg ... 350	- 1 ... 24	- 1 ... 24	08
0 ... 15	0 ... 1	0 ... 1	09
0 ... 23	0 ... 1.6	0 ... 1.6	10
0 ... 30	0 ... 2.5	0 ... 2.5	11
0 ... 60	0 ... 4	0 ... 4	12
0 ... 100	0 ... 6	0 ... 6	13
0 ... 160	0 ... 10	0 ... 10	14
0 ... 200	0 ... 16	0 ... 16	15
0 ... 300	0 ... 25	0 ... 25	16
0 ... 600	0 ... 40	0 ... 40	17
0 ... 800	0 ... 60	0 ... 60	18
0 ... 1500	0 ... 100	0 ... 100	19
0 ... 2000	0 ... 160	0 ... 160	20
0 ... 3000	0 ... 250	0 ... 250	21
0 ... 5000	0 ... 400	0 ... 400	22