



KGB4

Mechanical pressure gauges

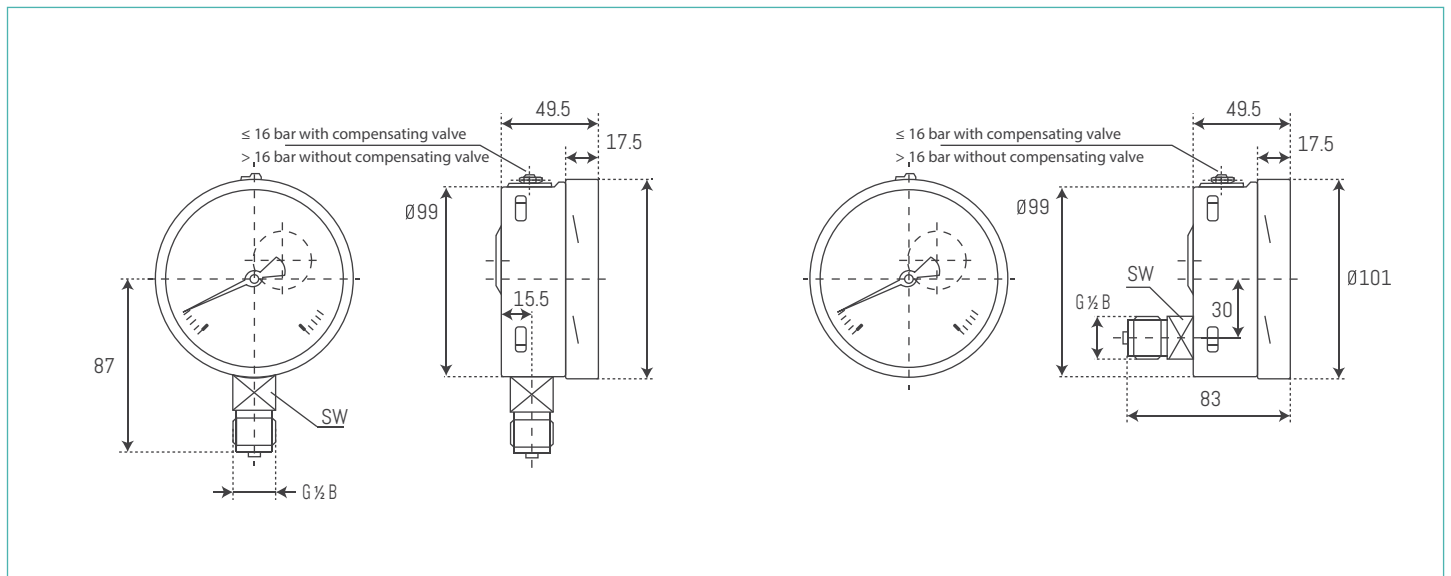
- With liquid-filled case for applications with high dynamic pressure loads or vibrations
- For gaseous and liquid aggressive media that are not highly viscous or crystallising, also in aggressive ambience
- Process industry: Chemical/petro-chemical, power stations, mining, on- and offshore, environmental technology, machine building and general plant construction

CE IP55

Technical Data

Housing		Wetted parts	
Nominal size	100 mm	Process connection material	Brass
Case material	Stainless steel 1.4301 / AISI 304	Bourdon tube	Copper Alloy
Type of housing	Crimped bezel ring	Performance	
Bezel ring material	Stainless steel 1.4301 / AISI 304	Accuracy according to EN 837-1	Class 1.0
Window material	Polycarbonate	Min. measuring range	-1 ... 1 bar
Window gasket	Elastomer	Max. measuring range	-1 ... 1000 bar
Protection rating (EN 60529)	IP55	Type of pressure	Gauge Compound
Dial	White, aluminium	Pressure limitation	Steady: 75 % of full scale value Fluctuating: 65 % of full scale value Short time: 100 % of full scale
Pointer	Black, aluminium	Temperature coefficient at +20°C	± 0.4 % FS/10K
Movement material	Brass		
Temperature			
Ambient temperature	-40°C ... +60°C		
Media temperature	-20°C ... +200°C (not filled) -20°C ... +100°C (Glycerine filled)		
Weight			
Gauge	535 g unfilled		

Dimension (mm)



Ordering Reference

Order key

	KGB	4	-	X	XX	XXX
Product KGB Mechanical pressure gauges	KGB					
Dimension Nominal size 100 mm		4				
Case Type M - Bottom mount Type B - Back mount					M B	
Process connection EN 837-1 ISO 7 ANSI/B1.20.1						EX IX AX
Measuring range bar/psi (ANSI) kg/cm2 (EN)						KXX FXX

⁽¹⁾ Available process connections list, see table in section process connections.

⁽²⁾ Available standard pressure ranges, see table in section pressure ranges.

Accessories



Syphons
→ see data sheet

- Applications :
- Syphons protect pressure measuring instruments from pulsations in the medium and from excessive heating.
 - Cooling element for fluids, gases and vapours in pressure measurement.
 - For direct mounting to the pressure connection of the pressure measuring instrument or to the shut-off device (stopcock or valve) mounted underneath



Needle valve
→ see data sheet

Material : Stainless Steel
 Temperature : -54 to 232 C
 of Media
 Media : oil, acid, water, base etc.
 Port Size : 1/8"-2"
 Connection : NPT thread ,BSP thread or others
 Pressure : 6000 psi



Ball valve, process
→ see data sheet

- Applications : Shut-off device for pressure measuring instruments, for measurement of liquids, gases and vapours
 Cock case : Brass, chromed plated steel, or stainless steel
 Handle : installed in the case with silicon free grease

Ordering Reference

Process connection

EN 837-1	G 1/8 B, male thread	E1
	G 1/4 B, male thread	E2
	G 1/2 B, male thread	E3
	M12 x 1.5, male thread	E4
	M20 x 1.5, male thread	E5
ISO 7	R 1/2, male thread	I1
	R 1/4, male thread	I2
ANSI/B1.20.1	1/4 NPT, male thread	A1
	1/2 NPT, male thread	A2

Pressure ranges

psi	bar	kg/cm ²	Code
-30"Hg ... 0	- 1 ... 0	- 1 ... 0	01
-30"Hg ... 9	- 1 ... 0.6	- 1 ... 0.6	02
-30"Hg ... 30	- 1 ... 1.5	- 1 ... 1.5	03
-30"Hg ... 60	- 1 ... 3	- 1 ... 3	04
-30"Hg ... 100	- 1 ... 5	- 1 ... 5	05
-30"Hg ... 160	- 1 ... 9	- 1 ... 9	06
-30"Hg ... 200	- 1 ... 15	- 1 ... 15	07
-30"Hg ... 350	- 1 ... 24	- 1 ... 24	08
0 ... 15	0 ... 1	0 ... 1	09
0 ... 23	0 ... 1.6	0 ... 1.6	10
0 ... 30	0 ... 2.5	0 ... 2.5	11
0 ... 60	0 ... 4	0 ... 4	12
0 ... 100	0 ... 6	0 ... 6	13
0 ... 160	0 ... 10	0 ... 10	14
0 ... 200	0 ... 16	0 ... 16	15
0 ... 300	0 ... 25	0 ... 25	16
0 ... 600	0 ... 40	0 ... 40	17
0 ... 800	0 ... 60	0 ... 60	18
0 ... 1500	0 ... 100	0 ... 100	19
0 ... 2000	0 ... 160	0 ... 160	20
0 ... 3000	0 ... 250	0 ... 250	21
0 ... 5000	0 ... 400	0 ... 400	22
0 ... 10000	0 ... 600	0 ... 600	23
0 ... 15000	0 ... 1000	0 ... 1000	24

