

Gas Turbine Flowmeter



Widely used in various industries. Mainly used for Natural Gas, LPG, Coal gas and etc.



Natural Gas Transmission



Urban Gas Industry



Petrochemical Industry



Power Plant



Intelligent Volume Corrector

- Dynamic detect temperature and Pressure data
- Automatic T&P compensation
- Compression factor correction

Clamp Power DC24V

Internal 3.6 Lithium Battery

Multiple Output

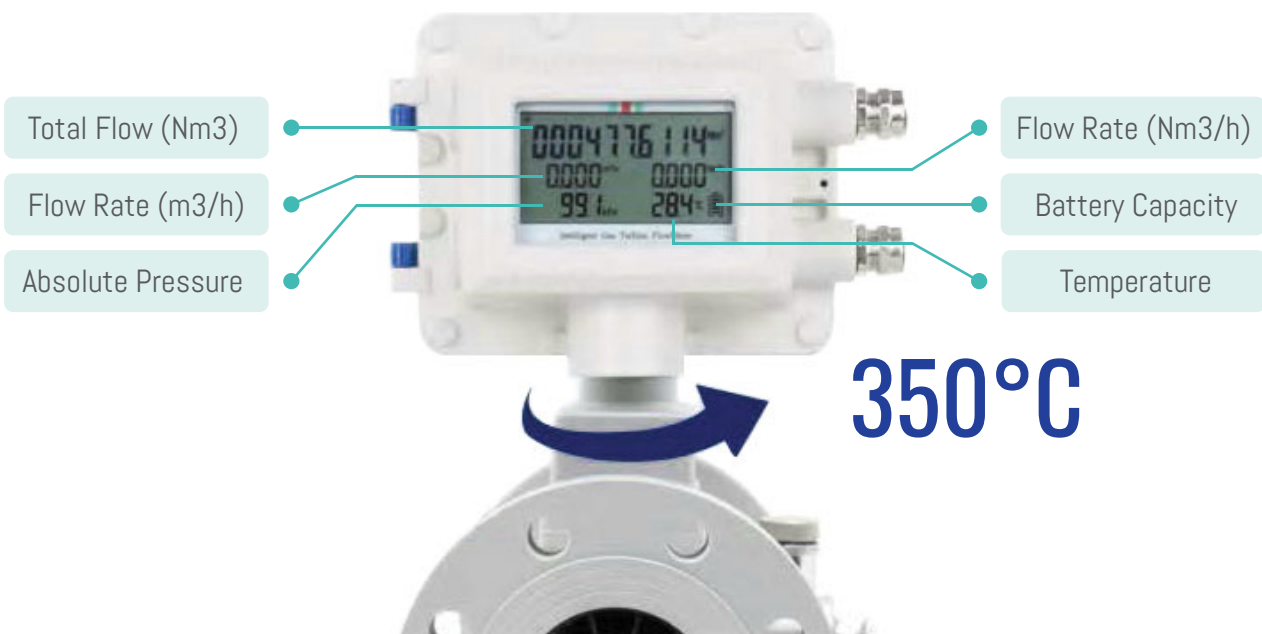
- IC Quantitative Pulse
- IC Quantitative Pulse
- IC Quantitative Pulse
- DC 24V+
- DC 24-
- Pulse
- 4 -20 mA+

Dual Power Supply

- Micro-power consumption < 1 mW, Battery work life 5 years
- Flash Data Storage Technology
- Parameters long term preservation while power failure

LCD HD Display with Rotable Converter

- Digital board.strong anti-interference ability
- Support display to rotate 350°
- Easy to read data in different



Aluminium Alloy Impeller

- High strength, Anti - Corrosive
- Good anti-aging performance
- High accuracy, good repeatability



Rectifier Structure

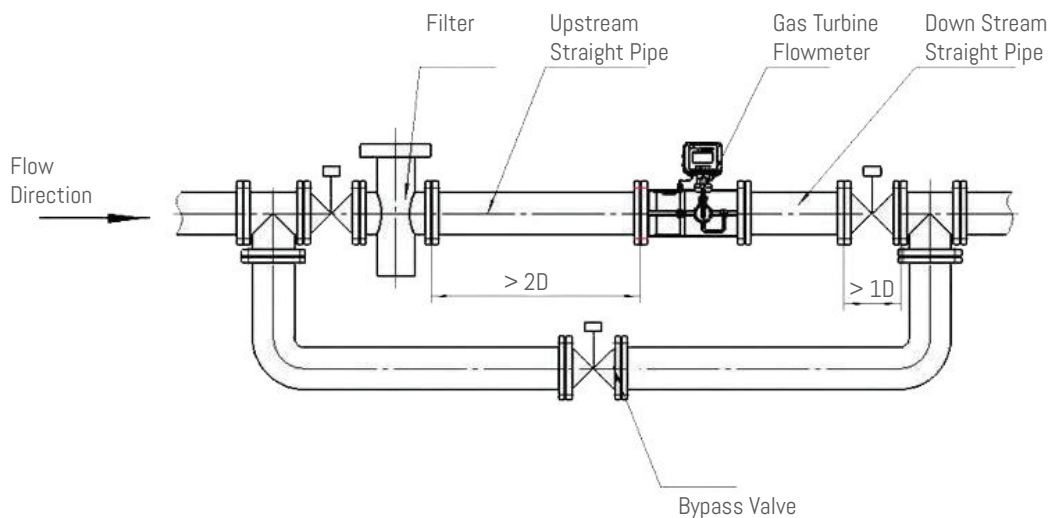
- Wide flow ratio 1 :40
- Ensure good accuracy under condition of upstream pipe 2D, downstream 1D

Specific Oil Injection Structure

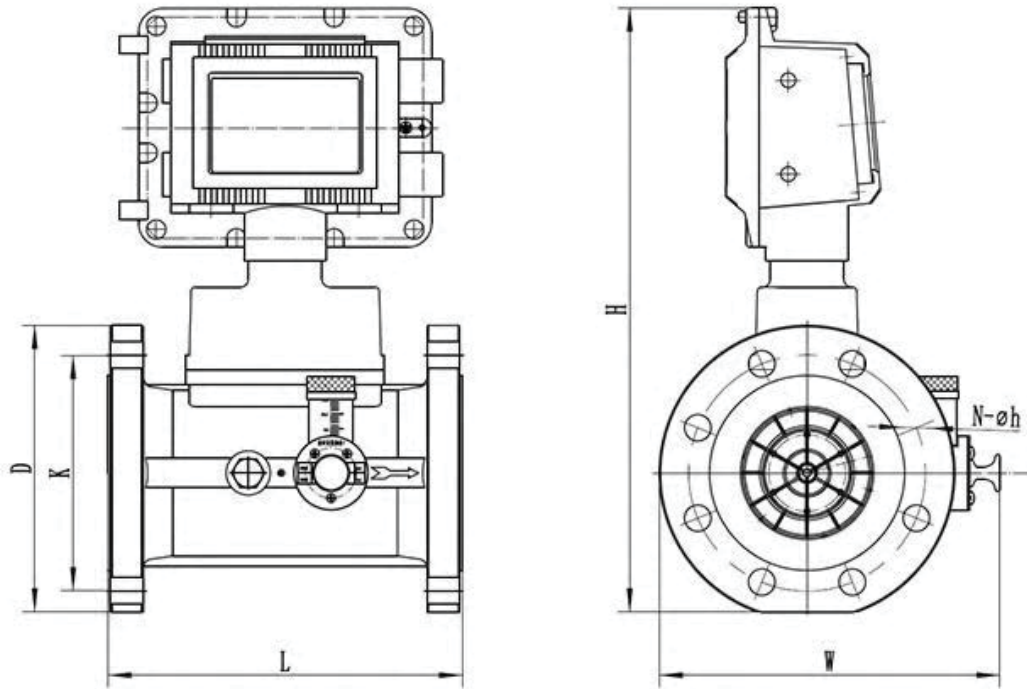
- Easy oil filling operation
- Ensure bearing work smoothly



Installation Method



Dimension



Size	L	D	K	N-Øh	H	W	Remarks
DN25(1")	200	115	85	4 - Ø14	335	200	1.Flange information according to PN16 GB9113.1-2000 2.Other flanges are available
DN40(1½")	200	150	110	4 - Ø18	365	230	
DN50(2")	150	165	125	4 - Ø18	375	275	
DN80(3")	240	200	160	8 - Ø18	409	280	
DN100(4")	300	220	180	8 - Ø18	430	285	
DN150(6")	450	285	240	8 - Ø22	495	370	
DN200(8")	600	340	295	12 - Ø22	559	390	
DN250(10")	750	405	355	12 - Ø26	629	480	
DN300(12")	900	460	410	12 - Ø26	680	535	
DN400(16")	1200	580	525	16 - Ø30	793	665	

Flow Range

DN (mm/inch)	Model	Flow Specification	Flow Range (m ³ /h)	Qmin (m ³ /h)	Max Pressure lost (KPa)	Shell Material	Weight (kg)	
DN25(1")	GTB-25(A)	G50	5-50	≤ 1	1	≤ 1.6 MPa Aluminum Alloy	7	
DN40(1½")	GTB-40(A)	G60	6-60	≤ 1	1		8	
50(2")	GTB-50(A)	G40	6.5 - 65	≤ 1.3	0.9		8.5	
	GTB-50(8)	G65	8 - 100	≤ 1.6	0.8			
	GTB-50{C}	G100	10 - 160	≤ 24	2.0			
80(3")	GTB-80(A)	G100	8 - 160	≤ 24	1.0		9.5	
	GTB-80(8)	G160	13 - 250	≤ 3.0	1.6			
	GTB-80{C}	G250	20 - 400	≤ 5.0	2.0			
100(4")	GTB-100(A)	G160	13 - 250	≤ 3.3	1.0		≥ 2.0 MPa Carbon Steel or SS304	15
	GTB-100(8)	G250	20 - 400	≤ 4.2	1.6			
	GTB-100{C}	G400	32 - 650	≤ 6.7	1.8			
150(6")	GTB-150(A)	G400	32 - 650	≤ 7.8	1.6	27		
	GTB-150(8)	G650	50 - 1000	≤ 10	2.0			
	GTB-150{C}	G1000	80 - 1600	≤ 12	2.3			
200(8")	GTB-200(A)	G650	50 - 1000	≤ 13	1.6	45		
	GTB-200(8)	G1000	80 - 1600	≤ 16	2.0			
	GTB-200{C}	G1600	130 - 2500	≤ 20	2.2			
250(10")	GTB-250(A)	G1000	80 - 1600	≤ 20	1.2	128		
	GTB-250(8)	G1600	130 - 2500	≤ 22	2.2			
	GTB-250{C}	G2500	200 - 4000	≤ 25	2.3			
300(12")	GTB-300(A)	G1600	130 - 2500	≤ 22	1.6	265		
	GTB-300(8)	G2500	200 - 4000	≤ 25	2.0			
	GTB-300{C}	G4000	320 - 6500	≤ 35	2.3			
400(16")	GTB-400(A)	G1600	300 - 2500	≤ 22	1.8	380		
	GTB-400(8)	G2500	500 - 4000	≤ 35	2.0			
	GTB-400{C}	G4000	600 - 8000	≤ 40	2.3			

Technical Parameters	
Nominal Diameter	DN25-DN400
Nominal Pressure	1.0 MPa/ 1.6 MPa/ 2.5 MPa/ 4.0MPa
Range Ratio	Max 40:1 (under P=101.325 KPa, T=293.15K)
Accuracy	1.5% (Standard), 1.0 (Optional)
Repeatability	Better than 0.2%
Explosion Proof	ExiallCT6Ga
Protection	IP65
Shell Material	Aluminum Alloy/ Carbon Steel/ Stainless Steel
Power Supply	3.6V Lithum Battery Powered External power DC18-30V
Output Signal	4-20mA, Pulse, Alarm
Communication	RS485 Modbus RTU

Model Select

GTB		XXX	X	X	X	X	X	X
Size (mm)	DN25 - DN400 mm (Digital Code of Size)							
Accuracy	1.5% (standard)		1					
	1.0%		2					
Normal Pressure	1.0 MPa			1				
	1.6 MPa			2				
	2.5 MPa			3				
	4.0 MPa			4				
Body Material	Others			5				
	Aluminum Alloy (For size below DN150mm)				1			
	Carbon Steel				2			
Output/ Communication	Stainless Steel				3			
	Pulse + 4 - 20mA					1		
	Pulse + 4 - 20mA + RS485					2		
Power Supply	Pulse + 4 - 20mA + HART					3		
	Battery Powered + External Power DC24V (two-wire)						1	
Ex-Proof	Battery Powered +External Power DC24V (three-wire)						2	
	With							1
	Without							2