

截止换向阀+防混阀+罐底阀
Divert seat valve + Mixing proof valve
+ Tank bottom valve

9.6



 **Aldismo**®

Aldismo Co.,Ltd.
362/1 Soi Rama Nine 20, Rama 9 Rd.,
Bangkapi, Huai-Khwang District, Bangkok 10310
Thailand

国家高新技术企业 浙江省著名商标
www.cndonjoy.com

 **DONJOY 东正**

东正一直致力于重大技术进步，是您值得信赖的事业伙伴！
Donjoy committing to major technological advances, is your reliable business partner!

0.1	自控调节阀+控制器 Automatic control regulating valve +Control head
0.2	生物制药隔膜阀 Biopharmaceutical diaphragm valve
0.3	高洁净泵 High purity pumps
0.4	防混蝶阀+蝶阀 Mixing proof butterfly valve +Butterfly valve
0.5	球阀 Ball valve
0.6	截止换向阀+防混阀+罐底阀 Divert seat valve+Mixing proof valve +Tank bottom valve
0.7	角座阀+截止阀 Angle seat valve+Globe valve
0.8	止回阀+恒压阀+安全阀+减压阀 Check valve+constant pressure valve+safety valve +air release valve
0.9	清洁技术+取样阀+视镜+照明技术 Clean technology+sample valve+sight glass +lighting technology
0.10	过滤器+人孔 Filter+man hole cover(manway)
0.11	卫生管件 Sanitary fittings ASME BPE DIN11852 B94825 SMS ISO IDF 3A



注意：
目录技术资料仅供设计参考，
设计更新和技术升级恕不另行通知！

不断革新的技术、日新月异的市场发展和客户需求是当今我们面临的巨大挑战。面对这些挑战我们信心十足，因为东正高度专业化的产品和技术创新，是我们未来将以更高、更优的产品来满足不断增长的市场需求。

Technological innovation, rapid development of the market and customer needs are the greatest challenges facing us today. Facing with these challenges we are confident, because of highly professional products and technological innovation, we will meet the growing demand of market and customer with our better and better products.

法律声明：
目录样册版本属东正所有，如有抄袭东正将追究其法律责任和经济赔偿。
东正众多技术设计，都具有专利保护，如有抄袭，东正必将追究法律责任和经济赔偿。

领先源于创新 创新源于专业

东正的专业与品质的邂逅源于创新的精神



现代化工厂已经投产，期待您的光临！
温州空港经济园区生产基地
Wenzhou airport economic zone production base

占地面积29000m²，总投资1.2亿元，新引进ABB工业机器人、日本马扎克5轴加工中心、ABB机器人抛光设备。

东正创立于1993年，注册资金5508万，是一家专注于研发高品质PID过程控制器、阀门定位器、流量控制器，阀门控制单元，高洁净过程控制阀、智能自控阀，高洁净泵、高洁净管材和管道配件。公司高度专业化的产品和技术专注于生物制药、食品饮料、酿酒、精细化工等工业领域。东正众多的创新解决方案，对满足全球，尤其是新兴市场不断增长生物制药和食品饮料行业的需求起到了积极作用。

Covering an area of 29000 m², with total investment after construction is expected to 120 million yuan, introduces new ABB industrial robot, Japan mazar-e-sharif grams of five axis machining center, ABB machine Polishing equipment.

东正制造的产品母材料、加工技术、焊接技术、表面处理等技术指标均已达到国内外先进水平。且符合ASME BPE、EHEDG、FDA、3A等一系列国际标准和规范要求，先后通过了由德国TÜV机构实施的欧盟承压设备指令(PED-97/23/EC)和(MD-06/42/EC)认证、美国3A机构实施的3-A卫生标准认证、中国安全阀特种制造设备(TS)许可证和中国质量认证中心CQC ISO9001:2008质量管理体系认证等多项国际权威认证。

东正凭借先进的技术、优异的品质和完善的售后服务体系，先后被评定为国家高新技术企业，省著名商标、省科技型企业、创新型企业、专利示范企业、研发中心企业，守合同重信用AAA企业等众多荣誉。

关于东正 About DONJOY

Donjoy was built up in 1993, with registered capital RMB 55,08 millions. We focus on developing high quality PID process controller, the valve positioner, the flow controller, the valve control unit, high purity process control valve, intelligent self-control valve, high purity pump, high purity tubing fitting and pipeline accessories. Donjoy's products and technologies are widely used in biopharmaceutical, food, drink, wine fine chemicals and other industrial fields. Donjoy's innovation solutions meet the growing demand of the industry of biopharmaceutical, food and beverage from the whole world, especially the emerging market.

Raw material, processing technology, welding technology, surface treatment from Donjoy have achieved advanced levels of domestic and foreign market. Donjoy productions according to ASME BPE, EHEDG, FDA and 3A standard, get certificate of PED-97/23/EC and MD-06/42/EC issued by TUV, 3A issued by 3A organization, TS licence and ISO9001:2008.

Donjoy with advanced technology, excellent quality and perfect after-sales service system, has been assessed as the national high-tech enterprises, the Provincial Famous Trademark, the Provincial Science and Technology Enterprises, Innovative Enterprises, Patent Model Enterprises, R & D Center, AAA Credit Enterprises.



创立于2005年现代化工厂
温州滨海经济开发区生产基地
Wenzhou binhai economic development zone production base

DONJOY high-purity valve, pump, control system, pipe and accessories, provide the most excellent solution for various business scopes.



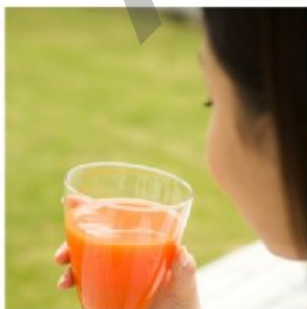
Biopharmaceutical



Dairy



Food



Beverage



Water Processing



Brewing



Fine Chemical

制造与检验 Manufacturing and testing



机器人生产线 Robot production line

全自动弯管设备 Automatic pipe bending equipment

DONJOY以科学技术是第一生产力，也是企业核心竞争力，只有不断投入核心技术研发和创新，不断追求卓越，精益求精、以先进生产设备，严格的质量管理体系，精密的生产检测流程，保证每一款产品优良的性能。

Science and technology constitute a primary productive force, also the core competitive strength of the enterprise. Continuously intensifying the research, development and innovation of core technology, pursuing prominence and keeping improving, ensuring the excellent quality and performance of every single product by advanced production equipment, strict quality control and precise production and inspection procedures.

荣誉与资质

Honor and qualification

	<p>3A</p> <p>东正是美国3A认证组织的金牌赞助商，3A是一个自愿组织，致力于维护公共卫生和奶制品产品质量通过独特的行业监管程序的设备，用于处理乳制品的卫生标准3A认证。 东正通过认证产品，阀门系列55-02-1783、64-00-1784、84-02-1786、85-03-1787、53-06-1782、54-02-1580、68-00-1785，管件(63-03)证书号(1581)等多种规格型号。</p>
	<p>PED/97/23/EC & MD/06/42EC</p> <p>东正通过了TUV 欧共体压力设备97/23/EC质量保证模式H&材料(管件)制造认证。 阀门证书 NO.CE 0036 泵类证书 NO.705201402401-00</p>
	<p>FDA177.2600</p> <p>东正生产的阀门和泵以及流体设备等，与物料接触密封圈全部通过或符合美国食品和药品管理局和联邦法规第21条即，CRF 21 FDA177.2600和FDA177.1550认证，其涵盖： EPDM VITON(FPM) SILICON HNRPTFE橡胶塑料材料等。</p>
	<p>ISO9001/2008</p> <p>东正通过中国质量认证中心CQC，ISO9001-2008/GB/T19001-2008企业质量管理体系认证。其证书编号: 00108Q24215R1M/3302</p>
	<p>卫生许可证</p> <p>东正通过了省卫生厅卫生阀门、卫生管件等检验，且获得了其颁发的证书，其编号: So083。 其许可证为国家出台的生活饮用水卫生监督管理方法证书。</p>
	<p>高新技术企业</p> <p>东正通过多年发展和技术创新已获得了多项国家发明专利，100多项实用新型专利，现已成为国家高新技术企业。</p>
	<p>浙江省著名商标</p> <p>东正09年获得了温州市著名商标，2012年获得了浙江省著名商标。</p>

DONJOY不但拥有以上认证和荣誉，且被评定为省科技型、创新型、专利示范、研发中心、守合同守信用企业等众多的荣誉证书。

截止换向阀

Divert seat valve



应用

- ◆该换向座阀是一种卫生级单座气动操作阀门，在食品加工工业，饮料生产制药和精细化工工业中有着广泛的应用。

操作原理 Operating principles

- ◆该座阀由单作用或双作用的气动执行器自动操作。压缩空气推动轴来定位阀门开或关的位置。
- ◆单作用执行器的气缸180度的旋转，实现了阀门的常开和常闭型。

材质

- ◆和物料接触部分：AISI316L、AISI 304
- ◆其他部分为不锈钢：AISI 304
- ◆密封圈：EPDM根据FDA 177.2600
- ◆内表面处理：Ra<0.8 μm
- ◆外表面处理：喷砂、抛光

Applications

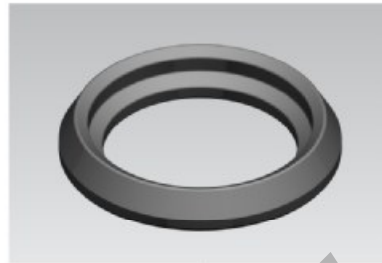
- ◆The divert seat valve is applied to the food-processing industry, beverage, pharmaceutical and fine chemicals industries.

Operating principles

- ◆Seat valves are operated automatically by a single-acting or a double-acting pneumatic actuator. By supplying compressed air, the shaft is moved to place the valve in the "open" or "closed" position.
- ◆The 180o rotation of the pneumatic cylinder to realize the interchange of normally open and normally closed.

Materials

- ◆Parts in contact with medium: AISI 316L, AISI 304
- ◆Other parts in stainless steel: AISI 304
- ◆Gasket: EPDM according to FDA 1 77.2600
- ◆Internal surface finish: Ra<0.8 μm
- ◆External surface finish: Sandblast or mirror polish



创新设计
专利保护

密封特点:
 无菌、无死角
 弹性压缩, 无摩擦, 寿命约300万次
 真空和高温 150°C 不脱离

Seal Features:
 Sterile, no dead
 Elastic compression, friction-free, longevity by approximately 3.000.000 times
 Vacuum and high temperature 150°C not falling the spool

设计和特点

- ◆ 简洁有活力的设计
- ◆ 尺寸从DN25/1"到DN100/4"
- ◆ 标准为常闭型阀门(NC)
- ◆ 可以将执行器调头(180°)即可实现常开型阀门(NO)
- ◆ 根据3A标准卫生设计
- ◆ 360度可调节外部结构
- ◆ 通过松开卡箍, 就可以简单的拆卸内部部件
- ◆ 焊接式连接口(毫米或英寸)

技术规范

- ◆ 规格: DN25-DN100/1"-4"
- ◆ 工作温度: -10°C到120°C(EPDM) 14° F到248° F, 140°C/284° F(SIP 30min)
- ◆ 最大工作压力: 10bar 145PSI
- ◆ 压缩空气压力: 5-7bar
- ◆ 气源连接: G1/8"(BSP)

选项

- ◆ 垫圈: FPM(氟橡胶), 符合FDA 177.2600
- ◆ 连接: DIN, SMS, RJT, IDF
- ◆ 双作用气动执行器
- ◆ 外置传感器
- ◆ 蒸汽消毒(如果轴需要杀菌)
- ◆ 阀体夹套保温
- ◆ 阀位调节器
- ◆ 双阻止执行器
- ◆ 隔膜式阀腔
- ◆ C-TOP控制单元
- ◆ 表面处理: Ra ≤ 0.5 μm
- ◆ 手动操作

Design and features

- ◆ Compact and robust design.
- ◆ Size: DN25/1" to DN 100/4"
- ◆ Normally closed (NC) in the standard version.
- ◆ The valve can be changed (180°) to normally open (NO) by simply reversing the position of the pneumatic actuator
- ◆ Hygienic design according to 3A standard
- ◆ 360° adjustable body
- ◆ Easy assembly / disassembly of internal parts by loosening a clamp fastener
- ◆ Standard weld connection (mm or inch)

Technical specifications

- ◆ Size: DN25-DN100/1"-4"
- ◆ Working temperature: -10°C to 120°C (EPDM) 14° F to 248° F, 140°C/284° F (SIP, max. 30min)
- ◆ Max. Working pressure: 10bar 145PSI
- ◆ Compressed air pressure: 5-7bar
- ◆ Air connections: G1/8" (BSP)

Options

- ◆ Gaskets: FPM (viton (R)) in compliance with FDA 177.2600
- ◆ Connections: DIN, SMS, RJT, IDF
- ◆ Double-acting pneumatic actuator
- ◆ External position sensor
- ◆ Steam barrier (if shaft sterilisation is required)
- ◆ Body jacket insulation
- ◆ Valve position regulator
- ◆ Double stop actuator
- ◆ Diaphragm type valve cavity
- ◆ C-TOP control unit
- ◆ Surface finish: Ra ≤ 0.5 μm
- ◆ Manual operated.

截止换向阀 Divert seat valve



阀位可调节换向阀 Valve position can be adjusted divert seat

技术特点：
可以扳手实现流量调节低成本优势

Technical features:
Use wrench to realize flow control, at low cost

阀位调节器
Valve position regulator

调节扳手
Control wrench



隔膜式换向阀 Diaphragm type divert seat valve

技术特点：
该阀门拥有标准换向阀功能
PTFE隔膜隔离了阀门内部与外部
泄漏仓可提供隔膜损坏的情况通过检漏管提供信息

Technical features:
The valve has the standard function of divert seat valve, PTFE diaphragm isolates valve inside and outside, diaphragm damage can be seen through leakage detector.

检漏管 Leakage detector tube

泄漏仓 Leakage detection



无菌换向阀 Aseptic divert seat valve

技术特点：
该阀门具有标准换向阀功能
一个可经液体清洗或蒸气消毒的轴的配置，
保证了阀杆被彻底清洗。

Technical features:
The valve has the standard function of divert seat valve. Equipped with a stem that can be sterilized by cleaning fluid and steam, Ensure the stem be completely cleaned.

出口outlet

进口
SIP/CIP



夹套式保温换向阀

Jacketed type insulation divert seat valve

技术特点：

夹套阀外壳，以达到最佳的热传输。

可以保护易凝固敏感的介质，例巧克力，人造黄油或类似的介质保持液体流动。

Technical features:

Jacketed shell, so as to achieve the best of heat transmission.

Can protect easy solidified sensitive medium, For example chocolate, margarine or similar medium keep flowing situation.

加热介质接口G1/2'

The heating medium interface G1/2'



双阻止气动换向阀

Double stop pneumatic divert seat valve

技术特点：

调整调节器可以减低执行器运行速度，防止阀芯和阀体撞击，

防止震动还可以延长密封圈寿命。

Technical features:

Adjust regulator can reduce actuator operation moving speed, preventing plug from shocking with valve body.

双阻止调节器

Double stop regulator



薄膜气动截止换向阀

Thin film pneumatic divert seat valve

技术特点：

薄膜式气动换阀，具有标准截止阀换向阀所有的功能。

该阀门技术优势，承受更高的压力，阀门更短的高度，可抗击水锤，侧面安装定位器实现自动流量调节。

Technical features:

Diaphragm type pneumatic reversal valve, directional valve with standard all functions and features.

Technical advantages of valve:

Under higher pressure, actuator height is shorter, can resist water hammer, sides mounted positioner.

截止换向阀

Divert seat valve



电动截止换向阀
Electric divert seat valve

该电动换向阀具有扭力、行程、自适应功能，可随意调整开启和关闭的方向。电动换向阀分为开关型和调节型两种设计。

The electric reversing valve torque, journey, adaptive function, open and can be adjusted freely. Shut down the direction of the electric reversing valves in the valve switch type and external regulation two design.



气动换向阀+位置传感器
Pneumatic divert seat valve + sensor



气动截止换向阀+定位器
Pneumatic divert seat valve + positioner

1"-4", DN25-DN100
该阀位流量调节阀
输入/输出信号0-4/20mA
DC24V
防护IP67

1"-4", DN25-DN100
Valve adjust the flow of divert seat valve
Input/Output signals 0-4/20mA
DC24V
Protective IP67



气动截止换向阀+控制单元
Pneumatic divert seat valve + control unit

1"-4", DN25-DN100
DC24V
防护IP67
输出信号DC24V和4-20mA

1"-4", DN25-DN100
DC24V
Protective Ip67
Output signals 0-4/20mA and DC24V

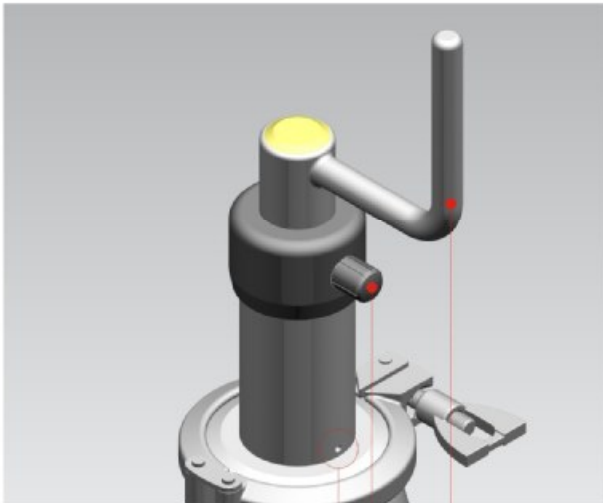


气动截止换向阀+MINI控制单元
Pneumatic divert seat valve + mini control unit

1"-1.5", DN25-DN40
DC24V
防护IP67
输出信号DC24V和4-20mA

1"-1.5", DN25-DN40
DC24V
Protective Ip67
Output signals 0-4/20mA and DC24V

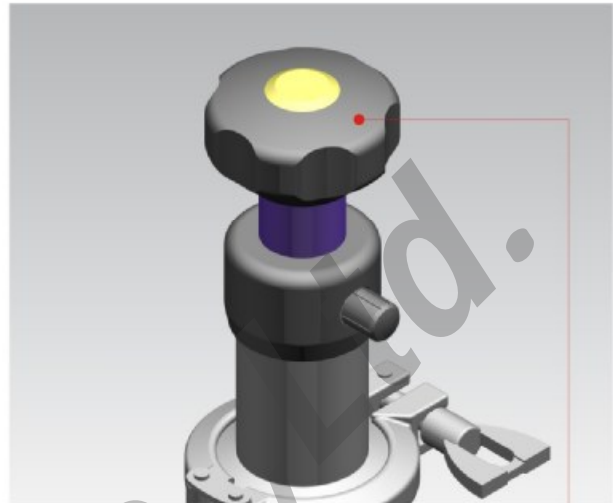
详细资料请查阅自控阀目录



检漏孔 Leak checking bore

位置安全锁 Position safety lock

手柄 Handles

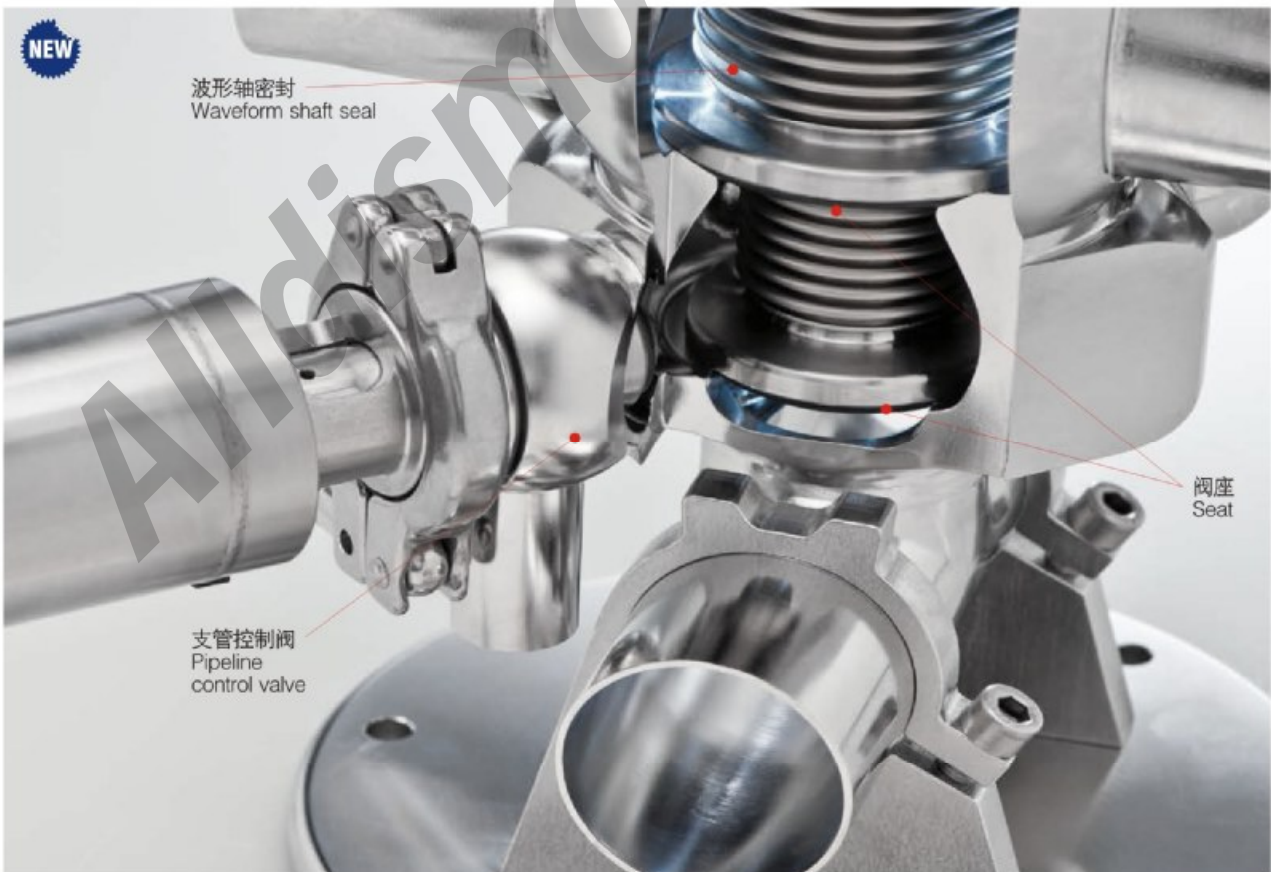


微调手轮

较好流量调节功能，
调节至合适的位置时，位置安全锁定。

Spinner hand wheel

When the flow control function better adjusted to the appropriate valve position, the position of the safety lock



NEW

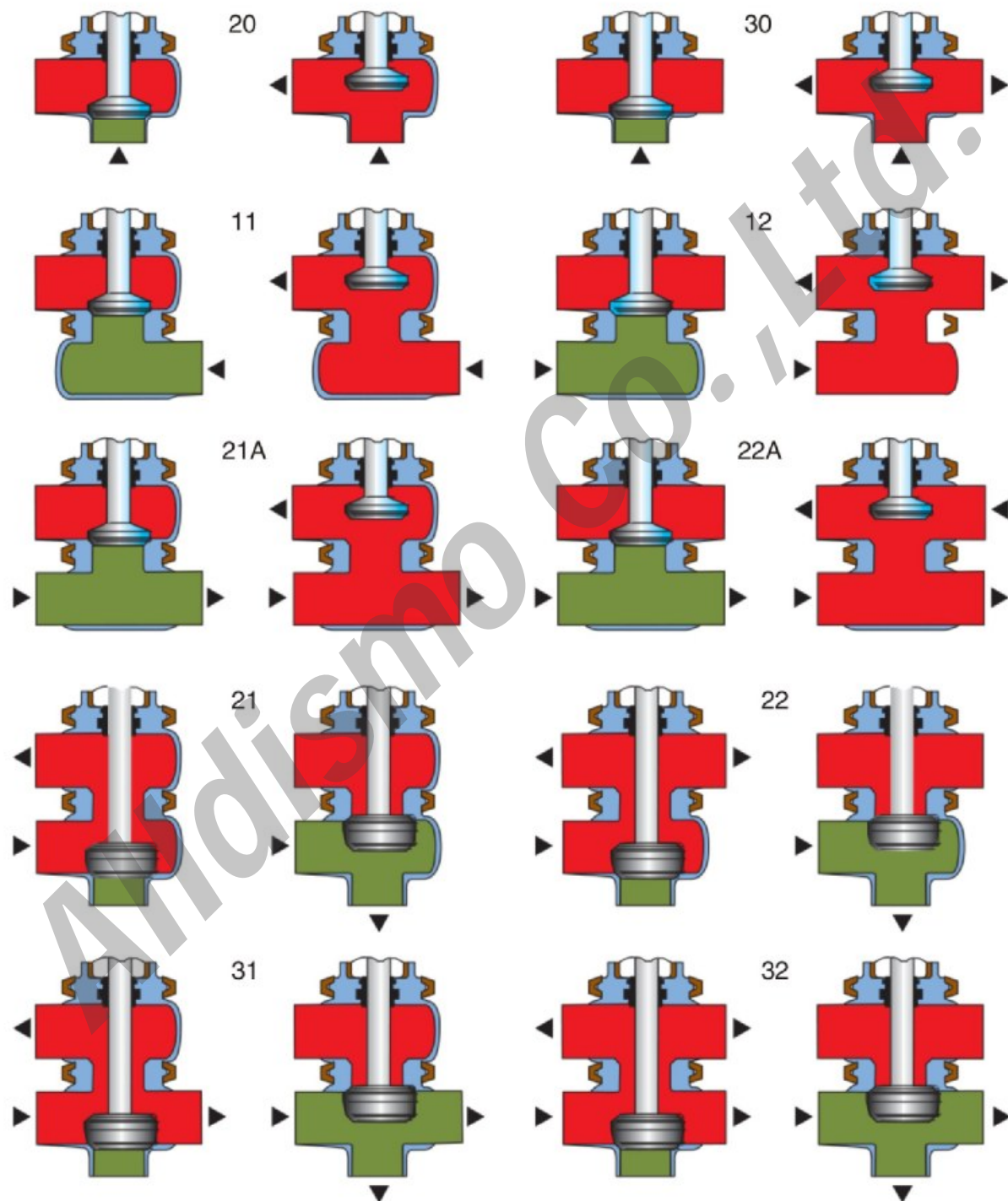
波形轴密封
Waveform shaft seal

支管控制阀
Pipeline control valve

阀座
Seat

截止换向阀 Divert seat valve

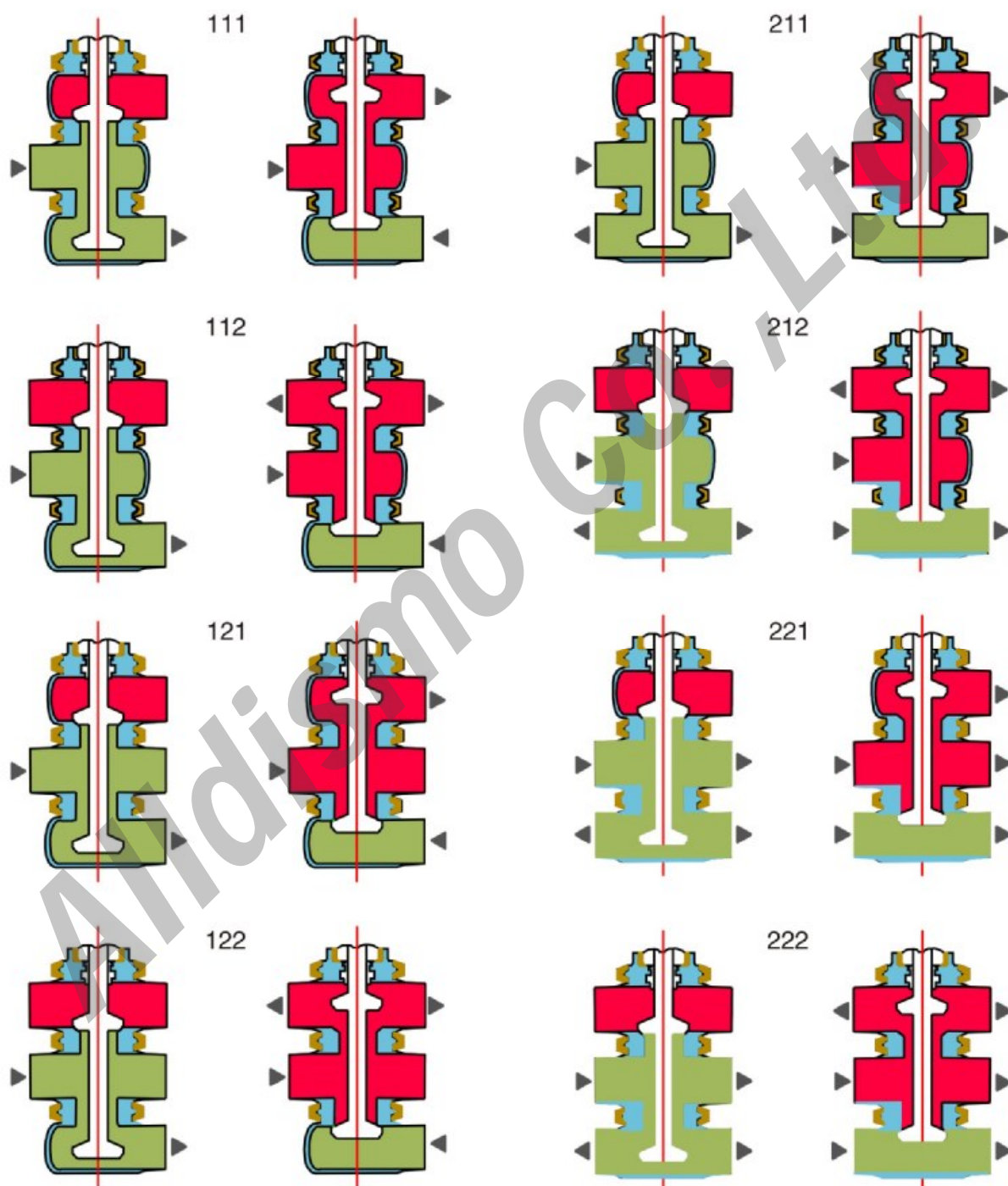
非常灵活的阀体组合 Combination very flexible body



注意：这些阀体组合适用于截止换向阀和外部清洗式防混阀

Note: the valve combination is applicable to the valve seat and the external cleaning type anti mixing valve

非常灵活的阀体组合 Combination very flexible body



注意：这些阀体组合适用于截止换向阀和外部清洗式防混阀

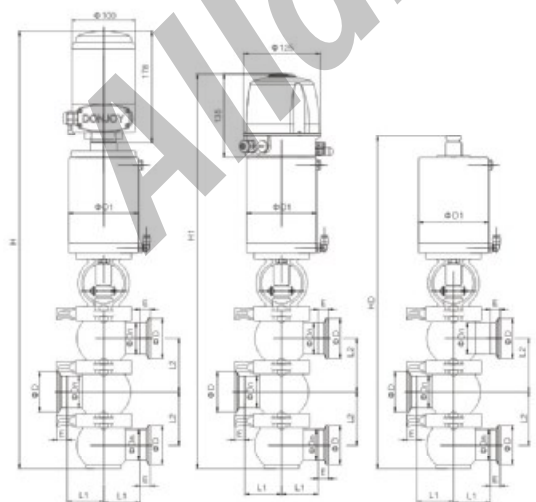
Note: the valve combination is applicable to the valve seat and the external cleaning type anti mixing valve

截止换向阀 Divert seat valve



气量消耗(L/循环次)
Air consumption (L/One cycle)

SIZE ΦD1	弹簧/气 Spring/air	气/气 air/air
88	0.12	0.24
113	0.21	0.42
132	0.45	0.90
180	1.00	2.00



NO.VHX103-111 NO.VHX101-111 NO.VHX100Q1-111

DIN气动换向截止阀 DIN Pneumatic Divert Seat Valve

SIZE	H	H1	HD	Dn	D	L2	D1		Weight (kg)		
							6bar	10bar			
DN40	590	547	428	40	50.5	60	67	88	113	12.7	7
DN50	662	619	504	52	64	70	76	113	132	12.7	9
DN65	758	715	581	70	91	99	105	132	180	12.7	18
DN80	758	715	581	85	106	99	105	132	180	12.7	18
DN100	958	915	785	104	119	114	146	180		15.8	20

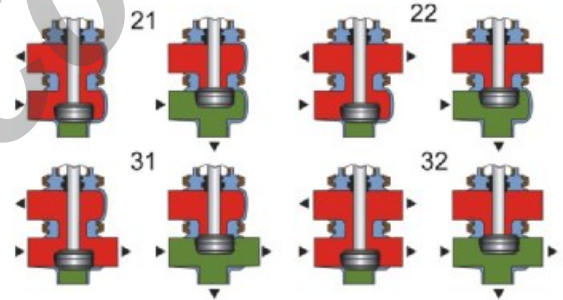
INCH气动换向截止阀 INCH Pneumatic Divert Seat Valve

SIZE	H	H1	HD	Dn	D	L2	D1		Weight (kg)		
							6bar	10bar			
1.5"	590	547	428	38.1	50.5	60	67	88	113	12.7	7
2"	662	619	504	50.8	64	70	76	113	132	12.7	9
2.5"	698	655	528	63.5	77.5	80	88	132	180	12.7	18
3"	758	715	581	76.2	91	99	105	132	180	12.7	18
4"	958	915	785	101.6	119	114	146	180		15.8	20



气量消耗(L/循环次)
Air consumption (L/One cycle)

SIZE ΦD1	弹簧/气 Spring/air	气/气 air/air
88	0.12	0.24
113	0.21	0.42
132	0.45	0.90
180	1.00	2.00

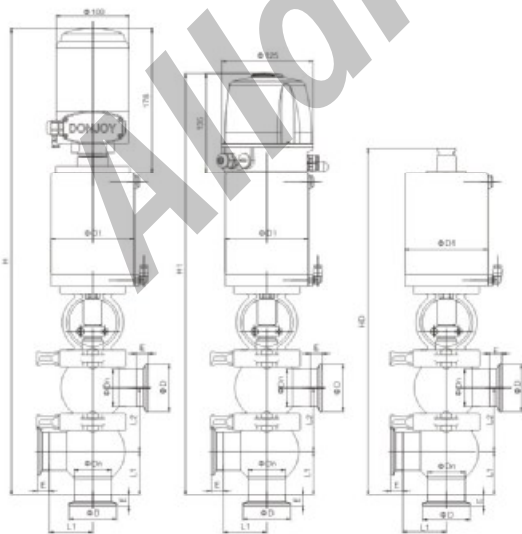


DIN气动换向截止阀
DIN Pneumatic Divert Seat Valve

SIZE	H	H1	HD	Dn	D	L2	D1		Weight (kg)		
							6bar	10bar			
DN25				28	50				12.7	6	
DN32	543	500	381	34	50.5	55	67	88	113	12.7	6
DN40				40		60				12.7	6
DN50	613	570	455	52	64	70	76	113	132	12.7	8
DN65	688	645	511	70	91	99	105	132	180	12.7	15
DN80	688	645	511	85	106	99	105	132	180	12.7	15
DN100	806	765	635	104	119	114	146	180		15.8	17

INCH气动换向截止阀
INCH Pneumatic Divert Seat Valve

SIZE	H	H1	HD	Dn	D	L2	D1		Weight (kg)		
							6bar	10bar			
1"				25.4	50				12.7	6	
1.25"	543	500	381	31.8	50.5	55	67	88	113	12.7	6
1.5"				38.1		60				12.7	6
2"	613	570	455	50.8	64	70	76	113	132	12.7	8
2.5"	642	599	472	63.5	77.5	80	88	132	180	12.7	15
3"	688	645	511	76.2	91	99	105	132	180	12.7	15
4"	806	765	635	101.6	119	114	146	180		15.8	17



NO.VHX103Q1-021 NO.VHX101Q1-021 NO.VHX100Q1-021

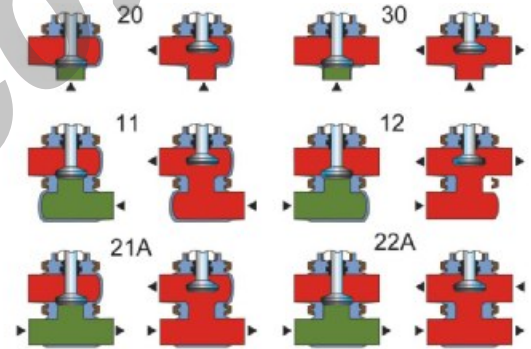


气动换向截止阀 Pneumatic divert seat valve



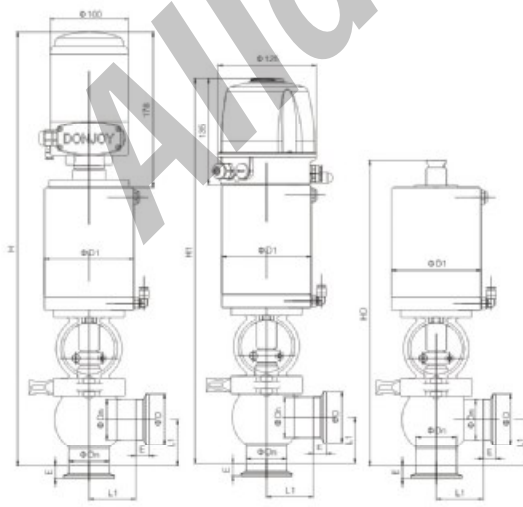
气量消耗(L/循环次)
Air consumption (L/One cycle)

SIZE ΦD1	弹簧/气 Spring/air	气/气 air/air
88	0.12	0.24
113	0.21	0.42
132	0.45	0.90
180	1.00	2.00



DIN气动换向截止阀 DIN Pneumatic Divert Seat Valve

SIZE	H	H1	HD	Dn	D	D1		-	Weight (kg)	
						6bar	10bar			
DN25				28	50			12.7	5	
DN32	476	433	314	34	50.5	55	88	113	12.7	5
DN40				40	60				12.7	5
DN50	537	494	378	52	64	70	113	132	12.7	7
DN65	583	540	406	70	91	99	132	180	12.7	13
DN80	583	540	406	85	106	99	132	180	12.7	13
DN100	662	619	489	104	119	114	180		15.8	15



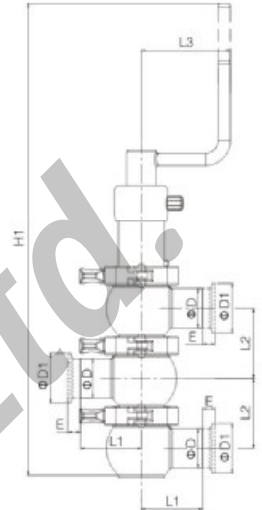
NO.VHX103Q1-020 NO.VHX101Q1-020 NO.VHX100Q1-020

INCH气动换向截止阀 INCH Pneumatic Divert Seat Valve

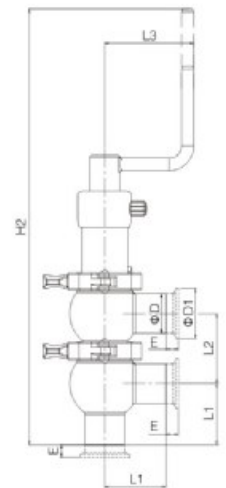
SIZE	H	H1	HD	Dn	D	D1		-	Weight (kg)	
						6bar	10bar			
1"				25.4	50			12.7	5	
1.25"	476	433	314	31.8	50.5	55	88	113	12.7	5
1.5"				38.1	60				12.7	5
2"	537	494	378	50.8	64	70	113		12.7	7
2.5"	554	511	384	63.5	77.5	80	132	132	12.7	13
3"	583	540	406	76.2	91	99	132	180	12.7	13
4"	662	619	489	101.6	119	114	180	180	15.8	15



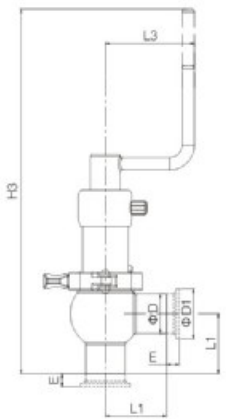
阀体组合请参照前页阀体组合图



NO.VHX100S1-111



NO.VHX100S1-021



NO.VHX100S1-020

INCH手动换向截止阀
INCH Manual Divert Seat Valve

SIZE	H1	H2	H3	D	D1	L1	L2	L3	E	1	2	3
										Weight (kg)	Weight (kg)	Weight (kg)
1"	-	393	326	25.4	50.5	50	67	86	12.7	4	3	2
1.25"	-	398	331	31.8		55			12.7	4	3	2
1.5"	440	403	336	38.1	60	12.7	4	3	2			
2"	489	446	370	50.8	64	70	76	86	12.7	5	4	3
2.5"	526	475	386	63.5	77.5	80	88	86	12.7	8	6	5
3"	579	520	415	76.2	91	99	105	86	12.7	10	8	6
4"	702	576	430	101.6	119	114	146	86	15.8	15	12	9

产品重量表格对应: NO.VHX100S1-020=3; NO.VHX100SQ-021=2; NO.VHX100S1-111=1

DIN手动换向截止阀
DIN Manual Divert Seat Valve

SIZE	H1	H2	H3	D	D1	L1	L2	L3	E	1	2	3
										Weight (kg)	Weight (kg)	Weight (kg)
DN25	-	393	326	28	50.5	50	67	86	12.7	4	3	2
DN32	-	398	331	34		55			12.7	4	3	2
DN40	440	403	336	40	60	12.7	4	3	2			
DN50	489	446	370	52	64	70	76	86	12.7	5	4	3
DN65	579	520	386	70	91	99	105	86	12.7	10	8	6
DN80	579	520	415	85	106	99	105	86	12.7	10	8	6
DN100	702	576	430	104	119	114	146	86	15.8	15	12	9

产品重量表格对应: NO.VHX100S1-020=3; NO.VHX100SQ-021=2; NO.VHX100S1-111=1



薄膜气动截止换向阀

Thin film pneumatic divert seat valve

技术特点

薄膜式气动换阀，具有标准截止阀换向阀所有的功能。该阀门技术优势，承受更高的压力，阀门更短的高度，可抗击水锤，侧面安装定位器实现自动流量调节。

Technical features

Diaphragm type pneumatic reversal valve, directional valve with standard all functions and features. Technical advantages of valve: Under higher pressure, actuator height is shorter, can resist water hammer, side mounted positioner.

技术规格 Technical specifications

SIZE: 2"-6", DN50-DN150

材质: 316L/304

压力: 10bar, 20bar (选项)

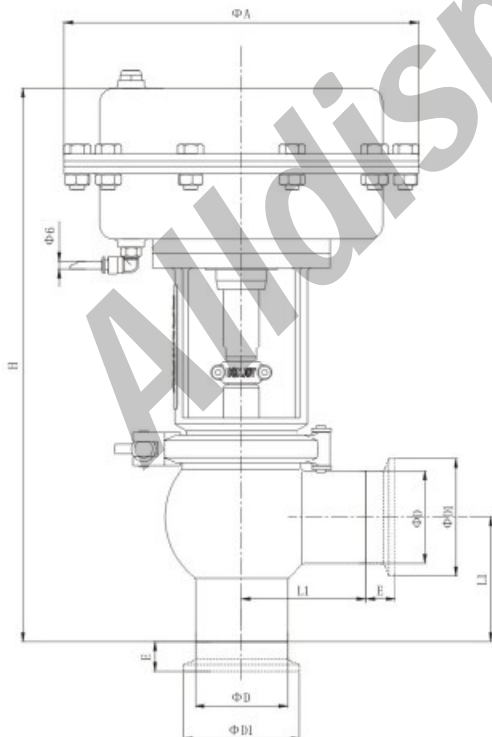
温度: -10°C 到 130°C

Size: 2"-6", DN50-DN150

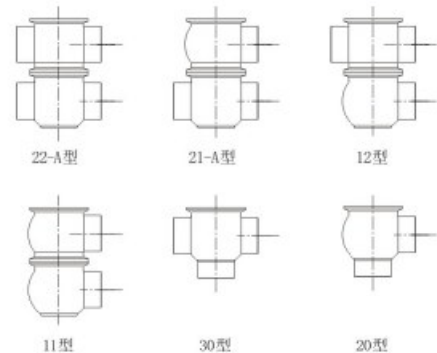
Material: 316L/304

Pressure: 10bar, 20bar (option)

Temperature: -10°C to 130°C



NO. vHX600Q1



DIN薄膜气动截止换向阀
DIN Pneumatic Divert Seat Valve

SIZE	D	D1	L1	A	E	H	H1
DN50	52	64	70	200	12.7	310	401
DN65	70	91	99		12.7	391	507
DN80	85	106	99		12.7	391	507
DN100	104	119	114		15.8	443	560

迷你型换向阀

Mini-type divert seat valve

应用

该阀门特别适合用于灌装设备上，可以替代传统型的转阀。

Applications

The valve is particularly suitable for filling machine, can replace the traditional rotary valve.

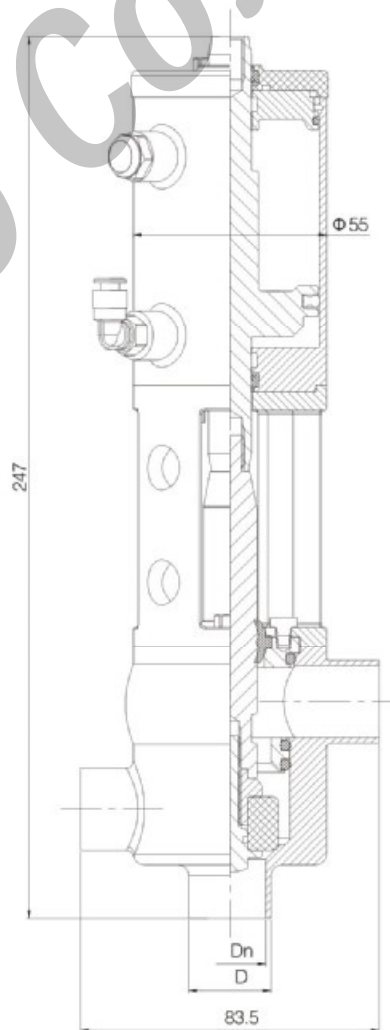
设计特点

- ◆密封一体式设计
- ◆可满足高频率启、闭
- ◆无死角设计，符合3A-85-00要求
- ◆密封符合FDA177.2600
- ◆连接标准、卡箍、焊接、螺纹、DIN、SMS、ISO
- ◆迷你型换向阀

Design features

- ◆Seal-in-one piece design
- ◆Meet high-frequency on/off
- ◆No dead angle designed to meet the requirements of 3A-85-00
- ◆Seal FDA 177.2600
- ◆Connection standard, clamp, weld, thread, DIN, SMS, ISO
- ◆Mini-type divert seat valve

150万次寿命承诺



SIZE	Dn	D
Φ 19	16	19
DN20	19	22
	20	23

NO.MINI-VHX100Q1



CHINA DONJOY TECHNOLOGY CO.,LTD.

DONJOY looking forward to your visit! Your telecommunications!



中国·东正
科技有限公司

地址: 温州空港经济技术开发区
温州滨海经济技术开发区
总机: 0577-86990888
传真: 0577-86998000

Add: Wenzhou airport economic and
technological development zone
Wenzhou binhai economic and
technological development zone
Tel: +86-577-86990888
Fax: +86-577-86998000
E-mail: donjoy@cndonjoy.com

www.cndonjoy.com

法律声明:

目录样册版本属东正所有, 如有抄袭东正将追究其法律责任和经济赔偿。
东正众多技术设计, 都具有专利保护, 如有抄袭, 东正必将追究法律责任和经济赔偿。