

生物制药径向隔膜阀 Biopharmaceutical Radial diaphragm valve



Alldismo Co.,Ltd.
362/1 Soi Rama Nine 20, Rama 9 Rd.,
Bangkapi, Huai-Khwang District, Bangkok 10310
Thailand

国家高新技术企业 浙江省著名商标
www.cndonjoy.com



东正一直致力于重大技术进步，是您值得信赖的事业伙伴！
Donjoy committing to major technological advances, is your reliable business partner!

0.1	自控调节阀+控制器 Automatic control regulating valve +Control head
0.2	生物制药隔膜阀 Biopharmaceutical diaphragm valve
0.3	高洁净泵 High purity pumps
0.4	防混蝶阀+蝶阀 Mixing proof butterfly valve +Butterfly valve
0.5	球阀 Ball valve
0.6	截止换向阀+防混阀+罐底阀 Divert seat valve+Mixing proof valve +Tank bottom valve
0.7	角座阀+截止阀 Angle seat valve+Globe valve
0.8	止回阀+恒压阀+安全阀+减压阀 Check valve+constant pressure valve+safety valve +air release valve
0.9	清洁技术+取样阀+视镜+照明技术 Clean technology+sample valve+sight glass +lighting technology
0.10	过滤器+人孔 Filter+man hole cover(manway)
0.11	卫生管件 Sanitary fittings ASME BPE DIN11852 Bs4825 SMS ISO IDF 3A



注意：
目录技术资料仅供设计参考，
设计更新和技术升级恕不另行通知！

不断革新的技术、日新月异的市场发展和客户需求是当今我们面临的巨大挑战。面对这些挑战我们信心十足，因为东正高度专业化的产品和技术创新，是我们未来将以更高、更优的产品来满足不断增长的市场需求。

Technological innovation, rapid development of the market and customer needs are the greatest challenges facing us today. Facing with these challenges we are confident, because of highly professional products and technological innovation, we will meet the growing demand of market and customer with our better and better products.

法律声明：
目录样册版本属东正所有，如有抄袭东正将追究其法律责任和经济赔偿。
东正众多技术设计，都具有专利保护，如有抄袭，东正必将追究法律责任和经济赔偿。

领先源于创新 创新源于专业

东正的专业与品质的邂逅源于创新的精神



现代化工厂已经投产，期待您的光临！
温州空港经济园区生产基地
Wenzhou airport economic zone production base

占地面积29000m²，总投资1.2亿元，新引进ABB工业机器人、日本马扎克5轴加工中心、ABB机器人抛光设备。

东正创立于1993年，注册资金5508万，是一家专注于研发高品质PID过程控制器、阀门定位器、流量控制器，阀门控制单元，高洁净过程控制阀、智能自控阀，高洁净泵、高洁净管材和管道配件。公司高度专业化的产品和技术专注于生物制药、食品饮料、酿酒、精细化工等工业领域。东正众多的创新解决方案，对满足全球，尤其是新兴市场不断增长生物制药和食品饮料行业的需求起到了积极作用。

Covering an area of 29000 m², with total investment after construction is expected to 120 million yuan, introduces new ABB industrial robot, Japan mazar-e-sharif grams of five axis machining center, ABB machine Polishing equipment.

东正制造的产品母材料、加工技术、焊接技术、表面处理等技术指标均已达到国内外先进水平。且符合ASME BPE、EHEDG、FDA、3A等一系列国际标准和规范要求，先后通过了由德国TÜV机构实施的欧盟承压设备指令(PED-97/23/EC)和(MD-06/42/EC)认证、美国3A机构实施的3-A卫生标准认证、中国安全阀特种制造设备(TS)许可证和中国质量认证中心CQC ISO9001:2008质量管理体系认证等多项国际权威认证。

东正凭借先进的技术、优异的品质和完善的售后服务体系，先后被评定为国家高新技术企业，省著名商标、省科技型企业、创新型企业、专利示范企业、研发中心企业，守合同重信用AAA企业等众多荣誉。

关于东正 About DONJOY

Donjoy was built up in 1993, with registered capital RMB 55,08 millions. We focus on developing high quality PID process controller, the valve positioner, the flow controller, the valve control unit, high purity process control valve, intelligent self-control valve, high purity pump, high purity tubing fitting and pipeline accessories. Donjoy's products and technologies are widely used in biopharmaceutical, food, drink, wine fine chemicals and other industrial fields. Donjoy's innovation solutions meet the growing demand of the industry of biopharmaceutical, food and beverage from the whole world, especially the emerging market.

Raw material, processing technology, welding technology, surface treatment from Donjoy have achieved advanced levels of domestic and foreign market. Donjoy productions according to ASME BPE, EHEDG, FDA and 3A standard, get certificate of PED-97/23/EC and MD-06/42/EC issued by TUV, 3A issued by 3A organization, TS licence and ISO9001:2008.

Donjoy with advanced technology, excellent quality and perfect after-sales service system, has been assessed as the national high-tech enterprises, the Provincial Famous Trademark, the Provincial Science and Technology Enterprises, Innovative Enterprises, Patent Model Enterprises, R & D Center, AAA Credit Enterprises.



创立于2005年现代化工厂
温州滨海经济开发区生产基地
Wenzhou binhai economic development zone production base

DONJOY high-purity valve, pump, control system, pipe and accessories, provide the most excellent solution for various business scopes.



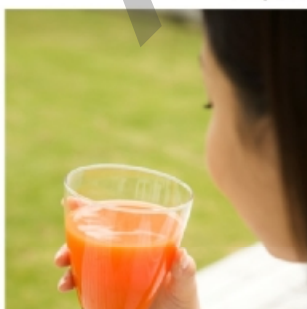
Biopharmaceutical



Dairy



Food



Beverage



Water Processing



Brewing



Fine Chemical

制造与检验 Manufacturing and testing



机器人生产线 Robot production line

全自动弯管设备 Automatic pipe bending equipment

DONJOY以科学技术是第一生产力，也是企业核心竞争力，只有不断投入核心技术研发和创新，不断追求卓越，精益求精、以先进生产设备，严格的质量管理体系，精密的生产检测流程，保证每一款产品优良的性能。

Science and technology constitute a primary productive force, also the core competitive strength of the enterprise. Continuously intensifying the research, development and innovation of core technology, pursuing prominence and keeping improving, ensuring the excellent quality and performance of every single product by advanced production equipment, strict quality control and precise production and inspection procedures.

荣誉与资质

Honor and qualification

	<p>3A</p> <p>东正是美国3A认证组织的金牌赞助商，3A是一个自愿组织，致力于维护公共卫生和奶制品产品质量通过独特的行业监管程序的设备，用于处理乳制品的卫生标准3A认证。 东正通过认证产品，阀门系列55-02-1783、64-00-1784、84-02-1786、85-03-1787、53-06-1782、54-02-1580、68-00-1785，管件(63-03)证书号(1581)等多种规格型号。</p>
	<p>PED/97/23/EC & MD/06/42EC</p> <p>东正通过了TUV 欧共体压力设备97/23/EC质量保证模式H&材料(管件)制造认证。 阀门证书 NO.CE 0036 泵类证书 NO.705201402401-00</p>
	<p>FDA177.2600</p> <p>东正生产的阀门和泵以及流体设备等，与物料接触密封圈全部通过或符合美国食品和药品管理局和联邦法规第21条即，CRF 21 FDA177.2600和FDA177.1550认证，其涵盖： EPDM VITON(FPM) SILICON HNRPTFE橡胶塑料材料等。</p>
	<p>ISO9001/2008</p> <p>东正通过中国质量认证中心CQC，ISO9001-2008/GB/T19001-2008企业质量管理体系认证。其证书编号: 00108Q24215R1M/3302</p>
	<p>卫生许可证</p> <p>东正通过了省卫生厅卫生阀门、卫生管件等检验，且获得了其颁发的证书，其编号: So083。 其许可证为国家出台的生活饮用水卫生监督管理方法证书。</p>
	<p>高新技术企业</p> <p>东正通过多年发展和技术创新已获得了多项国家发明专利，100多项实用新型专利，现已成为国家高新技术企业。</p>
	<p>浙江省著名商标</p> <p>东正09年获得了温州市著名商标，2012年获得了浙江省著名商标。</p>

DONJOY不但拥有以上认证和荣誉，且被评定为省科技型、创新型、专利示范、研发中心、守合同守信用企业等众多的荣誉证书。

径向隔膜阀

Radial diaphragm valve



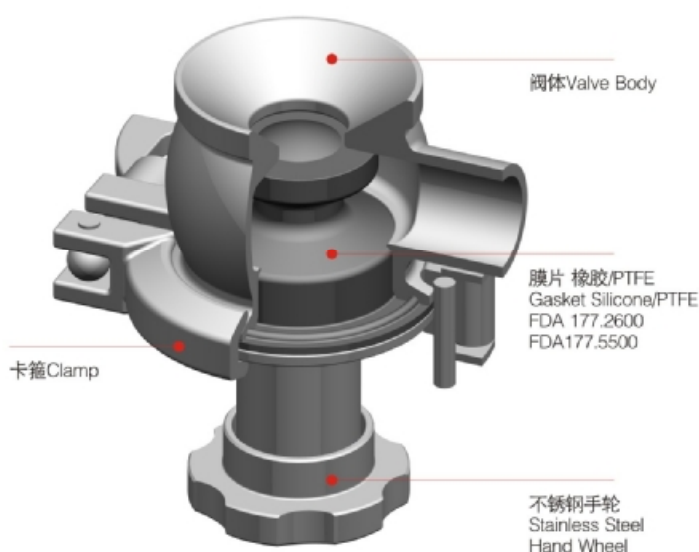
应用 Application

- ◆主要应用于制药、生物科技、卫生保健、化妆品以及食品等行业。
- ◆在制药行业中，该阀门可用作过程控制阀、定量给料阀、取样阀以及无菌排泄阀等等。
- ◆在食品行业中，该阀门常被用作引导装置，如取样阀、定量给料阀(例如添加CO2/Nitrogen到啤酒中，添加调料到饮料中)。
- ◆Mainly used in pharmaceutical, biotech, health care, cosmetic and food industries.
- ◆In the pharmaceutical industry, the valve can be used as process control valve, dosing valve, sampling valve and aseptic drain valve etc.
- ◆In the food industry, this valve is often used as guide device, such as sampling valve, dosing valve (For example adding CO2/Nitrogen to beer, add seasoning to drink.)

产品描述 Product description

径向隔膜阀主要有手动和气动两种型式，阀体内部抛光处理光洁度 $Ra \leq 0.5 \mu m$ ，以满足生物制药工业的要求。

Radial diaphragm valve are mainly manual and pneumatic operations, inside body finished $Ra \leq 0.5 \mu m$, in order to meet the requirements of biopharmaceutical industry.



径向隔膜阀 Radial diaphragm valve



结构特点 Structure features

- ◆全新的膜片设计
- ◆维护简单、安全，易操作
- ◆自排空功能
- ◆死角最小化
- ◆卓越KV值
- ◆CIP/SIP杀菌和清洗
- ◆New diaphragm design.
- ◆Maintenance is simple, safe, and easy to operate.
- ◆Self-emptying function.
- ◆Dead leg minimization.
- ◆Had excellent KV value
- ◆CIP/SIP sterilization and cleaning

技术规格 Technical specifications

- ◆规格：3/4"-2.5"，DN20-DN65
- ◆工作温度：-10°C到120°C(EPDM/Silicon)
- ◆最高压力：6bar
- ◆执行方式：手动/气动可互换
- ◆执行器气压：5bar-6bar
- ◆出口连接方式：焊接、卡箍、特殊接口
- ◆Specification: 3/4 "-2.5", DN20-DN65
- ◆Working temperature: -10°C to 120 °C (EPDM/Silicon)
- ◆Max pressure: 6 bar
- ◆Operation: manual/pneumatic interchangeable
- ◆Actuator pressure: 5 bar - 6 bar
- ◆Connection: welding, clamp, and other special connection

径向隔膜阀

Radial diaphragm valve



手动罐底隔膜阀
Manual Tank Bottom Diaphragm Valve



手动径向隔膜阀
Manual Radial Diaphragm Valve



气动罐底隔膜阀
Pneumatic Tank Bottom Diaphragm Valve



气动径向隔膜阀
Pneumatic Radial Diaphragm Valve

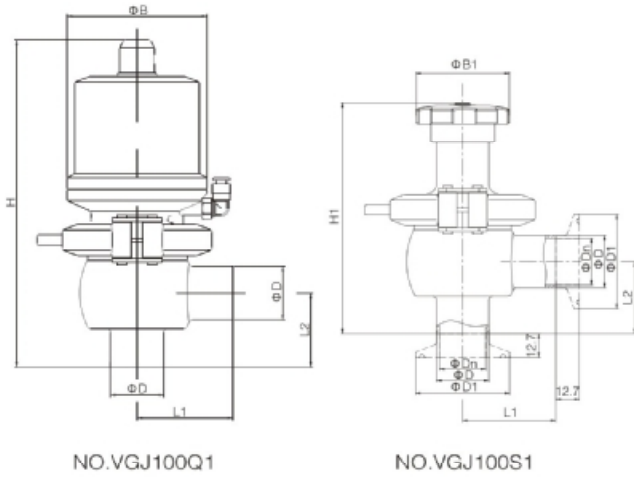
径向隔膜阀

Radial diaphragm valve

非常灵活的阀体组合
Flexible Valve Body Combination

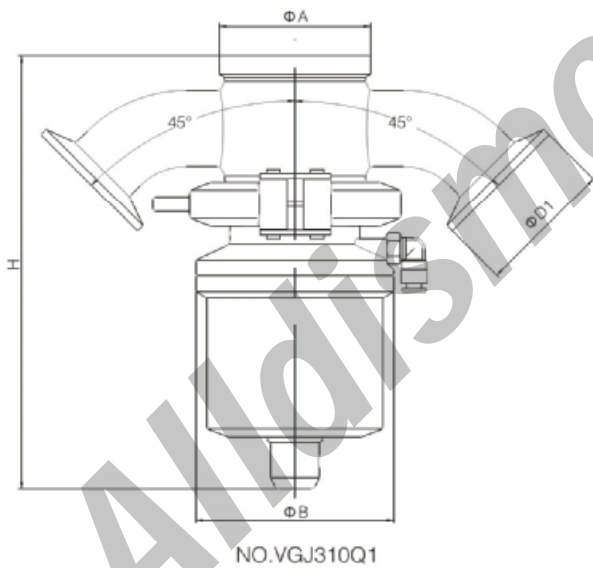


径向隔膜阀 Radial diaphragm valve

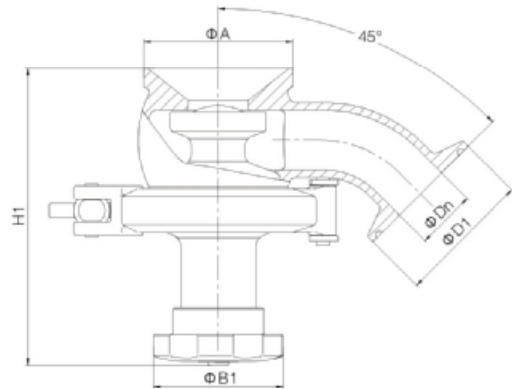


NO.VGJ100Q1

NO.VGJ100S1



NO.VGJ310Q1



NO.VGJ210S1

INCH

SIZE	Dn	D	D1	L1	L2	H	B	H1	B1
3/4"	16	19	25.4	50	40	171	73	145	55
1"	22.4	25.4	50.5	50	40	171	73	145	55
1.5"	35	38	50.5	55	43.5	205	100	156	55
2"	47.8	50.8	64	65	55	238	106	180	75
2.5"	59.5	63.5	77.5	80	70	268	130	205	85

DIN

SIZE	Dn	D	D1	L1	L2	H	B	H1	B1
DN20	19	22	34	50	40	171	73	145	55
DN25	25	28	50.5	50	40	171	73	145	55
DN32	31	34	50.5	50	40	205	100	156	55
DN40	37	40	50.5	55	40	205	100	156	55
DN50	49	52	64	65	55	238	106	180	75
DN65	66	70	91	80	70	268	130	205	85

INCH

SIZE	Dn	D1	A	H	B	H1	B1
3/4"	16	25.4	56	158	73	132	55
1"	22.4	50.5	56	158	73	132	55
1.5"	35	50.5	72	200	100	150	55
2"	47.8	64	84	230	106	170	75
2.5"	59.5	77.5	100	253	130	192	85

DIN

SIZE	Dn	D1	A	H	B	H1	B1
DN20	19	34	56	158	73	132	55
DN25	25	50.5	56	158	73	132	55
DN32	31	50.5	56	200	100	150	55
DN40	37	50.5	72	200	100	150	55
DN50	49	64	84	230	106	170	75
DN60	66	91	100	253	130	192	85



CHINA DONJOY TECHNOLOGY CO.,LTD.

DONJOY looking forward to your visit! Your telecommunications!



中国·东正 科技有限公司

温州滨海工业区:
温州龙湾区永强大道宏瑞路150号
温州空港新区:
温州通海大道港富路25号
总机: 0577-86990888
传真: 0577-86998000

Wenzhou Binghai industrial Park:
No.150 hongrui Road, Yongqiang Avenue,
longwan District, wenzhou.
Wenzhou airport Area:
No.25 Gangfu Road,Tonghai Avenue,
wenzhou
Tel: +86-577-86990888
Fax: +86-577-86998000
E-mail: donjoy@cndonjoy.com

www.cndonjoy.com

法律声明:

目录样册版本属东正所有, 如有抄袭东正将追究其法律责任和经济赔偿。
东正众多技术设计, 都具有专利保护, 如有抄袭, 东正必将追究法律责任和经济赔偿。