

# 取样阀系列 Sampling valves



Aldismo Co.,Ltd.  
362/1 Soi Rama Nine 20, Rama 9 Rd.,  
Bangkapi, Huai-Khwang District, Bangkok 10310  
Thailand

国家高新技术企业 浙江省著名商标  
[www.cndonjoy.com](http://www.cndonjoy.com)



东正一直致力于重大技术进步，是您值得信赖的事业伙伴！  
Donjoy committing to major technological advances, is your reliable business partner!

0.1	自控调节阀+控制器 Automatic control regulating valve +Control head
0.2	生物制药隔膜阀 Biopharmaceutical diaphragm valve
0.3	高洁净泵 High purity pumps
0.4	防混蝶阀+蝶阀 Mixing proof butterfly valve +Butterfly valve
0.5	球阀 Ball valve
0.6	截止换向阀+防混阀+罐底阀 Divert seat valve+Mixing proof valve +Tank bottom valve
0.7	角座阀+截止阀 Angle seat valve+Globe valve
0.8	止回阀+恒压阀+安全阀+减压阀 Check valve+constant pressure valve+safety valve +air release valve
0.9	清洁技术+取样阀+视镜+照明技术 Clean technology+sample valve+sight glass +lighting technology
0.10	过滤器+人孔 Filter+man hole cover(manway)
0.11	卫生管件 Sanitary fittings ASME BPE DIN11852 Bs4825 SMS ISO IDF 3A



注意：  
目录技术资料仅供设计参考，  
设计更新和技术升级恕不另行通知！

不断革新的技术、日新月异的市场发展和客户需求是当今我们面临的巨大挑战。面对这些挑战我们信心十足，因为东正高度专业化的产品和技术创新，是我们未来将以更高、更优的产品来满足不断增长的市场需求。

Technological innovation, rapid development of the market and customer needs are the greatest challenges facing us today. Facing with these challenges we are confident, because of highly professional products and technological innovation, we will meet the growing demand of market and customer with our better and better products.

法律声明：  
目录样册版本属东正所有，如有抄袭东正将追究其法律责任和经济赔偿。  
东正众多技术设计，都具有专利保护，如有抄袭，东正必将追究法律责任和经济赔偿。

# 领先源于创新 创新源于专业

## 东正的专业与品质的邂逅源于创新的精神



现代化工厂已经投产，期待您的光临！  
温州空港经济园区生产基地  
Wenzhou airport economic zone production base

占地面积29000m<sup>2</sup>，总投资1.2亿元，新引进ABB工业机器人、日本马扎克5轴加工中心、ABB机器人抛光设备。

东正创立于1993年，注册资金5508万，是一家专注于研发高品质PID过程控制器、阀门定位器、流量控制器，阀门控制单元，高洁净过程控制阀、智能自控阀，高洁净泵、高洁净管材和管道配件。公司高度专业化的产品和技术专注于生物制药、食品饮料、酿酒、精细化工等工业领域。东正众多的创新解决方案，对满足全球，尤其是新兴市场不断增长生物制药和食品饮料行业的需求起到了积极作用。

Covering an area of 29000 m<sup>2</sup>, with total investment after construction is expected to 120 million yuan, introduces new ABB industrial robot, Japan mazar-e-sharif grams of five axis machining center, ABB machine Polishing equipment.

东正制造的产品母材料、加工技术、焊接技术、表面处理等技术指标均已达到国内外先进水平。且符合ASME BPE、EHEDG、FDA、3A等一系列国际标准和规范要求，先后通过了由德国TÜV机构实施的欧盟承压设备指令(PED-97/23/EC)和(MD-06/42/EC)认证、美国3A机构实施的3-A卫生标准认证、中国安全阀特种制造设备(TS)许可证和中国质量认证中心CQC ISO9001:2008质量管理体系认证等多项国际权威认证。

东正凭借先进的技术、优异的品质和完善的售后服务体系，先后被评定为国家高新技术企业，省著名商标、省科技型企业、创新型企业、专利示范企业、研发中心企业，守合同重信用AAA企业等众多荣誉。



# 关于东正 About DONJOY

Donjoy was built up in 1993, with registered capital RMB 55,08 millions. We focus on developing high quality PID process controller, the valve positioner, the flow controller, the valve control unit, high purity process control valve, intelligent self-control valve, high purity pump, high purity tubing fitting and pipeline accessories. Donjoy's products and technologies are widely used in biopharmaceutical, food, drink, wine fine chemicals and other industrial fields. Donjoy's innovation solutions meet the growing demand of the industry of biopharmaceutical, food and beverage from the whole world, especially the emerging market.

Raw material, processing technology, welding technology, surface treatment from Donjoy have achieved advanced levels of domestic and foreign market. Donjoy productions according to ASME BPE, EHEDG, FDA and 3A standard, get certificate of PED-97/23/EC and MD-06/42/EC issued by TUV, 3A issued by 3A organization, TS licence and ISO9001:2008.

Donjoy with advanced technology, excellent quality and perfect after-sales service system, has been assessed as the national high-tech enterprises, the Provincial Famous Trademark, the Provincial Science and Technology Enterprises, Innovative Enterprises, Patent Model Enterprises, R & D Center, AAA Credit Enterprises.



创立于2005年现代化工厂  
温州滨海经济开发区生产基地  
Wenzhou binhai economic development zone production base

**DONJOY high-purity valve, pump, control system, pipe and accessories, provide the most excellent solution for various business scopes.**



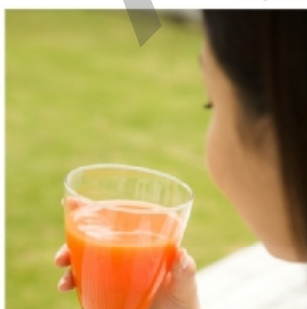
Biopharmaceutical



Dairy



Food



Beverage



Water Processing



Brewing



Fine Chemical

# 制造与检验 Manufacturing and testing



机器人生产线 Robot production line

全自动弯管设备 Automatic pipe bending equipment

DONJOY以科学技术是第一生产力，也是企业核心竞争力，只有不断投入核心技术研发和创新，不断追求卓越，精益求精、以先进生产设备，严格的质量管理体系，精密的生产检测流程，保证每一款产品优良的性能。

Science and technology constitute a primary productive force, also the core competitive strength of the enterprise. Continuously intensifying the research, development and innovation of core technology, pursuing prominence and keeping improving, ensuring the excellent quality and performance of every single product by advanced production equipment, strict quality control and precise production and inspection procedures.



# 荣誉与资质

## Honor and qualification

	<p><b>3A</b></p> <p>东正是美国3A认证组织的金牌赞助商，3A是一个自愿组织，致力于维护公共卫生和奶制品产品质量通过独特的行业监管程序的设备，用于处理乳制品的卫生标准3A认证。 东正通过认证产品，阀门系列55-02-1783、64-00-1784、84-02-1786、85-03-1787、53-06-1782、54-02-1580、68-00-1785，管件(63-03)证书号(1581)等多种规格型号。</p>
	<p><b>PED/97/23/EC &amp; MD/06/42EC</b></p> <p>东正通过了TUV 欧共体压力设备97/23/EC质量保证模式H&amp;材料(管件)制造认证。 阀门证书 NO.CE 0036 泵类证书 NO.705201402401-00</p>
	<p><b>FDA177.2600</b></p> <p>东正生产的阀门和泵以及流体设备等，与物料接触密封圈全部通过或符合美国食品和药品管理局和联邦法规第21条即，CRF 21 FDA177.2600和FDA177.1550认证，其涵盖： EPDM VITON(FPM) SILICON HNRPTFE橡胶塑料材料等。</p>
	<p><b>ISO9001/2008</b></p> <p>东正通过中国质量认证中心CQC，ISO9001-2008/GB/T19001-2008企业质量管理体系认证。其证书编号: 00108Q24215R1M/3302</p>
	<p><b>卫生许可证</b></p> <p>东正通过了省卫生厅卫生阀门、卫生管件等检验，且获得了其颁发的证书，其编号: So083。 其许可证为国家出台的生活饮用水卫生监督管理方法证书。</p>
	<p><b>高新技术企业</b></p> <p>东正通过多年发展和技术创新已获得了多项国家发明专利，100多项实用新型专利，现已成为国家高新技术企业。</p>
	<p><b>浙江省著名商标</b></p> <p>东正09年获得了温州市著名商标，2012年获得了浙江省著名商标。</p>

DONJOY不但拥有以上认证和荣誉，且被评定为省科技型、创新型、专利示范、研发中心、守合同守信用企业等众多的荣誉证书。

# 无菌取样阀 Aseptic sampling valve

DONJOY 创新设计  
专利保护



## 工作原理 Operating principles

- ◆ 该无菌取样阀为每次取样前和取样后进行杀菌。
  - ◆ 开启阀门：取样-通过旋转手柄(可调整阀门)或通过拉动操作杆(开/关阀门)来开启手动操作的阀门。然后柄和隔膜缩回，允许液体通过。
  - ◆ 关闭阀门：消毒-通过相反的步骤，内置弹簧关闭阀门，保持软管间的通道开启，用于消毒。如果使用蒸汽，建议在出口装一个小型的压力安全阀。
  - ◆ 标准设计：该无菌取样阀由三个部分组成、阀体、手柄和隔膜阀。橡胶膜置于阀杆上，作为拉伸塞子。
  - ◆ 连接形式：螺纹、罐焊接、钢管焊接、卡箍。
  - ◆ 手柄形式：(1)旋转手柄(2)可移动钥匙。
  - ◆ 应用领域：该阀门用于啤酒、牛奶、饮料、果汁、制药等行业。
- 
- ◆ The aseptic sampling valve is designed for sterilization before and after each sampling.
  - ◆ Open: Sampling-The manual valve is opened by rotating the handle(adjustable valve) or by activating the lever(on/off valve). The stem and the membrane are then retracted, allowing liquid to pass.
  - ◆ Closed: Sterilizing-The built-in spring closes the valve and keeps the channel open between the hoses though reverse process in order to sterilize. If using by steam, a small pressure relief valve(optional ) on the outlet is recommended.
  - ◆ Standard Design: the aseptic sampling valve consists of three parts, a valve body, a handle and a membrane. The rubber membrane is placed on the stem of the valve and works as a stretchable plug.
  - ◆ Connection: Thread, pipe welding, tank welding, Clamp.
  - ◆ Handle: (1)Turning handle (2)removable key.
  - ◆ Application: The aseptic sampling valve is applied to beer, milk, beverage, fruit juice, pharmacy industries tec.

## 材质 Material

- ◆ 阀体: AISI 316L      ◆ Valve body: AISI 316L
- ◆ 手柄: AISI 304      ◆ Handle: AISI 304
- ◆ 膜片: EPDM PTFE    ◆ Membrane: EPDM PTFE

## 技术规范

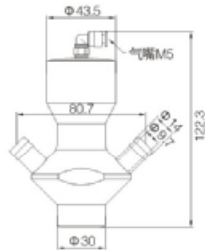
- ◆ 最大压力: 600kpa(6bar)

## 安装尺寸 Installation dimension

气动取样阀  
Pneumatic sampling valve



特点:  
取样后自动关闭阀门



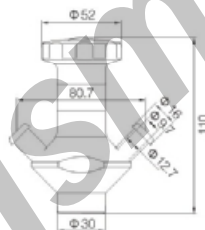
气动无菌取样阀  
Pneumatic aseptic sampling valve  
NO.VQY100Q1

Features:  
Sampling valve automatically closed  
after sampling

自动回位式取样阀  
Automatic return type sampling valve



特点:  
取样后自动复位



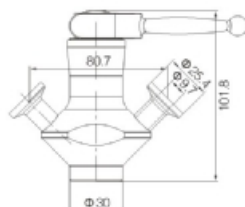
手动手轮无菌取样阀  
Manual aseptic sampling valve  
NO.VQY100S1

Features:  
Automatic reset after sampling

扳手式取样阀  
Turning handle type sampling valve



特点:  
扳手式手柄每次取样后可将  
其取走防止意外发生



手动手柄无菌取样阀  
Manual aseptic sampling valve  
NO.VQY100S2

Features:  
This type can be removed after each  
sampling to avoid accident open.

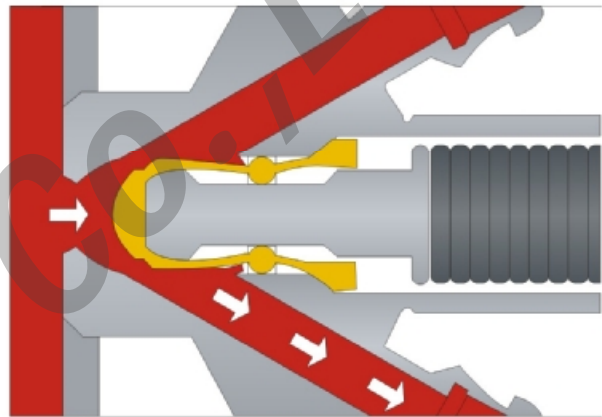
## 温度 Temperature

- ◆ 最高温度: 130°C(EPDM)    ◆ Max. Temperature: 130°C(EPDM)
- ◆ 最高温度: 150°C(PTFE)    ◆ Max. Temperature: 150°C(PTFE)

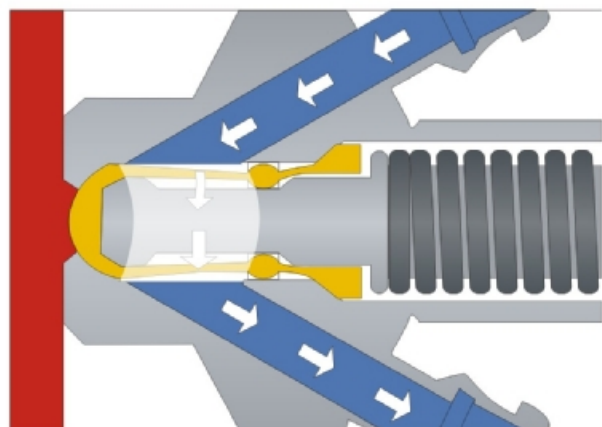
## Technical specification

- ◆ Max. Working pressure: 600kpa(6bar)

## 工作原理 Operating principles



开启阀门, 取样  
Open the valve, sampling



关闭阀门, 消毒  
Close the valve, sterilizing



# 无菌取样阀 Aseptic sampling valve



取样阀+管路连接器  
Sample valve+pipeline connector



取样阀+罐体连接器  
Sample valve+tank connector



进出口+防护套  
Sample valve+protective sleeve



气动无菌取样阀  
Pneumatic aseptic sampling valve



钥匙手柄无菌取样阀  
Lock handle sample valve



自动复位无菌取样阀  
Auto reset sample valve



取样进出口选型  
Interface selection:  
◆软管Hoses  
◆焊接Welding  
◆卡箍Clamps  
◆螺纹Thread  
◆凸台口Boss Ends

罐体连接(焊接)  
Welded connection  
罐体连接(卡箍)  
Clamp connection

## 各种配置阀体 Valve body with various configurations



密封圈  
Gasket  
◆EPDM  
◆PTEE



流量微调阀头  
Flow regulating valve head

气动阀头  
Pneumatic valve head

自动复位阀头  
Auto reset valve head

钥匙手柄阀头  
Lock lever valve head

# 取样阀

## Sample valve

### 应用 Applications

- ◆主要用于罐设备或管道里面的物料样品采集，也可安装在罐设备或管道的最低点用来排泄残留液。
- ◆its mainly applied to extract sample from tank or pipeline. It also can be assembled at the bottom of the tank or pipeline to drain away the remains.

### 操作原理 Operating principle

#### 取样阀 Sample Valve

- ◆手轮顺时针旋转阀杆连同密封圈抬起，此时阀门被开启取样，手轮逆时针旋转阀杆连同密封圈下降此时阀门被关闭。
- ◆when turn the hand wheel clockwise, the valve shaft and seal rise up. At this time, valve is open for sampling. When turn the hand wheel anti-clockwise, the valve shaft and seal go down, at that time, the valve is closed.

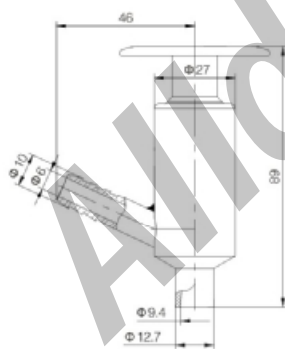


取样阀(椭圆式手轮) Sampling valve with elliptic type handle

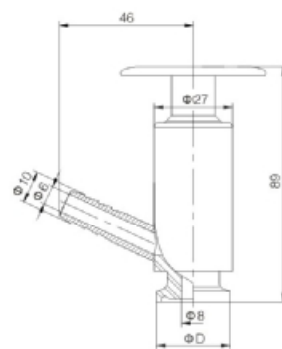
### 技术参数 Technical specification

- |                                  |   |                  |                             |
|----------------------------------|---|------------------|-----------------------------|
| ◆接口方式：螺纹、卡箍、焊接                   | ◆Connections:thread, clamp, weld          | ◆O型圈：NBR         | ◆O ring: NBR                |
| ◆最大压力：10bar 145psi               | ◆Max. Pressure:10bar 145psi               | ◆阀杆：AISI304/316L | ◆Valve shaft: AISI 304/316L |
| ◆最小压力：真空                         | ◆Min. Pressure: vacuum                    | ◆卡簧：AISI304      | ◆Spring: AISI304            |
| ◆适用温度：-10°C/14° F 至120° F/248° F | ◆Temperature:-10°C/14° F to 120° F/248° F |                  |                             |
| ◆阀体材质：AISI304/316L               | ◆Body material: AISI304/316L              |                  |                             |
| ◆密封材质：PTFE                       | ◆Seal material: PTFE                      |                  |                             |

### 各种连接取样阀

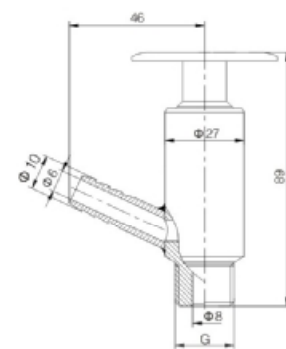


焊接式取样阀0.5"  
Welded sampling valve 0.5"  
NO.VQY200S1



卡箍取样阀  
Clamp  
sampling valve  
NO.VQY210S1

SIZE	D
1"	25.4
2"	50.5

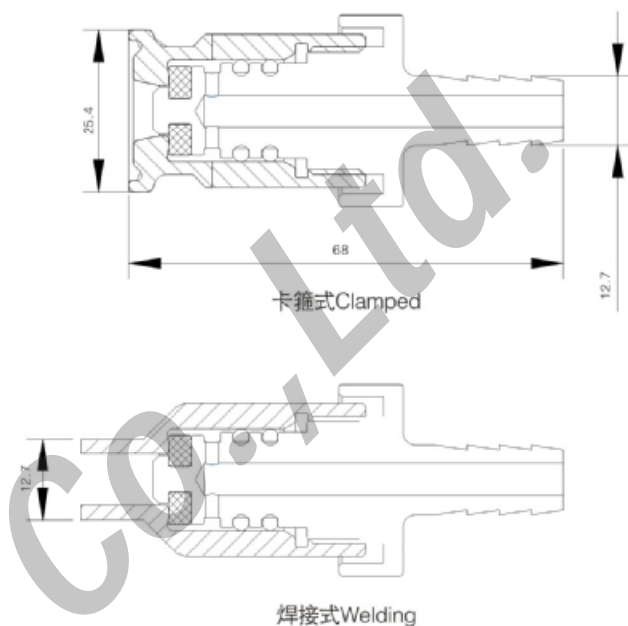


外螺取样阀  
Male sampling valve  
NO.VQY230S1

SIZE	G
1/4"	1/4"G-19
3/8"	3/8"G-19
1/2"	1/2"G-14
3/4"	3/4"G-14
1"	1"G-11

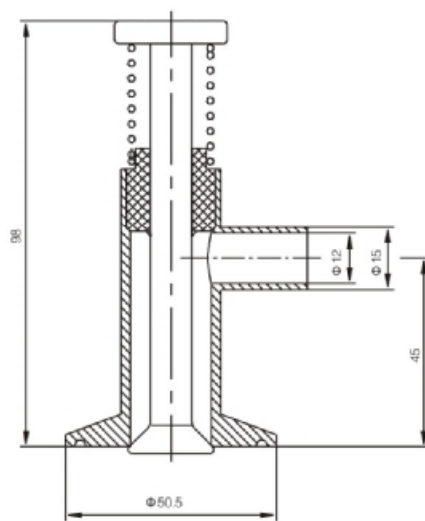
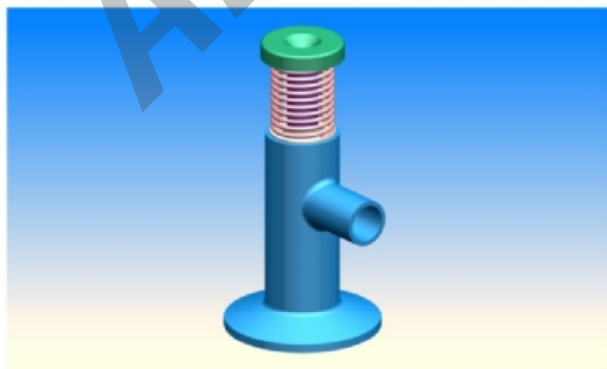
# 取样阀 Sample valve

## 直通式取样阀 Straight sampling valve



## 酸奶取样阀 Yogurt sampling valve

- ◆ 阀座开到罐内部或其他的设备内部，由此避免了因为管道过压造成阀门意外开启或泄漏等情况。
- ◆ 该阀门为常闭型(通过弹簧关闭)，用手一按手柄阀门开启，松开手柄门将自行关闭。
- ◆ 完全排水(液体)设计，防止了物料滞留阀门内部。
- ◆ The valve seat opens inside of tank or other equipment that it can avoid opening by accident due to high pressure in pipeline.
- ◆ The valve is normally closed(by spring). The valve is open as soon as pushing the handle and closed when loosing up.
- ◆ The design of completely drainage water is to avoid remains inside.



酸奶取样阀  
Yogurt sampling valve  
NO.VQY300S1



# 液体阀 Level gauge

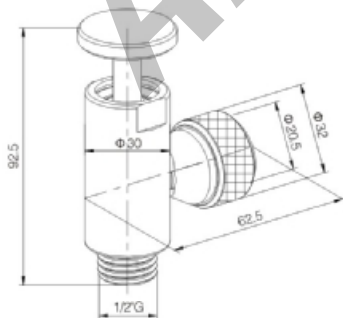
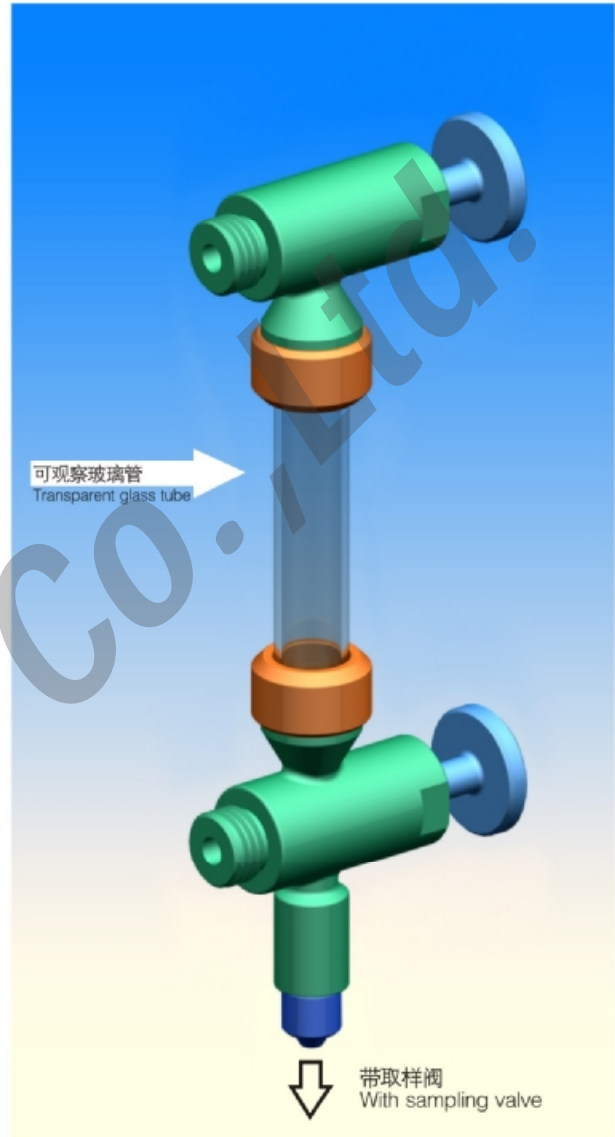


## 应用 Applications

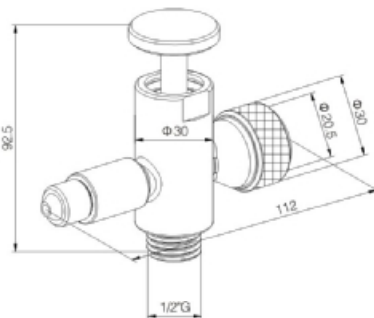
- ◆该液位计主要应用在罐设备上，两个不同或相同的液位计安装在罐设备上，可观察罐内液体位情况或观察罐内容量，也可以直接取样。
- ◆规格：1/4"，3/8"，1/2"，3/4"
- ◆连接：螺纹、卡箍、焊接
- ◆认证：PED 97/23/EC, FDA 177.2600
- ◆The level gauge is mainly applied to the tank equipments. The two same gauges or two different gauges are assembled on the tank so that the liquid condition or capacity can be observed and the sample can be extracted.
- ◆Size: 1/4", 3/8", 1/2", 3/4"
- ◆Connections: thread, clamp, weld
- ◆Certificate: PED 97/23/EC, FDA 177.2600

## 技术参数 Technical specification

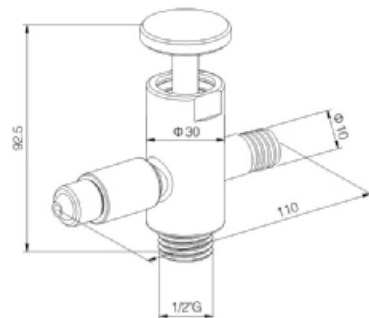
- ◆最大压力：10bar 145psi
- ◆最小压力：真空
- ◆适用温度：-10° F/14° F至120° F/248° F
- ◆阀体材质：AISI 304/316L
- ◆密封材质：PTFE
- ◆玻璃筒规格：Φ20
- ◆Max.pressure: 10bar 145psi
- ◆Min. Pressure: vacuum
- ◆Temperature: -10° F/14° F to 120° F/248° F
- ◆body material: AISI304/316L
- ◆Seal material: PTFE



闷头液位计取样阀  
Level Gauge(Superior)  
NO.VQY430S1-01



可视液位计取样阀  
Level Gauge With Sample Valve  
NO.VQY430S1



可视液位计取样阀(带软管)  
Level Gauge With Sample Valve(With hose adaptor)  
NO.VQY430S1-02



# CHINA DONJOY TECHNOLOGY CO.,LTD.

DONJOY looking forward to your visit! Your telecommunications!



中国·东正  
科技有限公司

地址: 温州龙湾区空港新区港富路25号  
总机: 0577-86990888  
传真: 0577-86998000

Add : No.25 Gang fu Road,  
kong gang new District,  
Longwan Wenzhou,China  
Tel: +86-577-86990888  
Fax: +86-577-86998000  
E-mail: donjoy@cndonjoy.com

[www.cndonjoy.com](http://www.cndonjoy.com)

法律声明:

目录样册版本属东正所有, 如有抄袭东正将追究其法律责任和经济赔偿。  
东正众多技术设计, 都具有专利保护, 如有抄袭, 东正必将追究法律责任和经济赔偿。